



## AVT-BT800A-DU

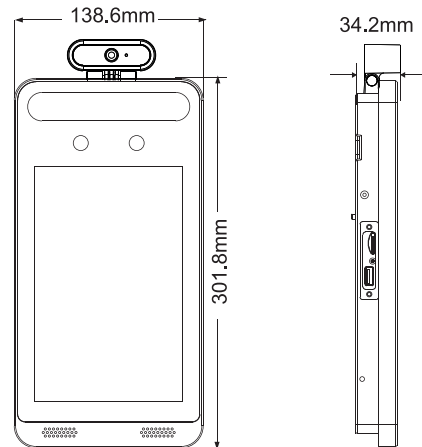
8" LCD TEMPERATURE SCREENING & FACE RECOGNITION  
ACCESS CONTROL WITH SMART FEATURES

### OVERVIEW

- High accuracy IR body temperature measurement
- Non-contact body temperature measurement
- Highly accurate face recognition using deep learning algorithms
- Real-time face recognition even with a mask on
- Face liveness detection technology distinguishing real faces from fake face spoof attacks
- 20,000 face capacity
- Human-sounding voice prompts and alarms
- Standalone device, ready for networking
- 8 inch LCD screen
- Temperature Measuring Accuracy:  $\pm 0.54^{\circ}\text{F}$  ( $\pm 0.3^{\circ}\text{C}$ )
- Face Recognition Accuracy: 99.7%
- Face Recognition Duration:  $\leq 0.5\text{s}$

### DIMENSIONS

Unit : inch(mm)



### OPTIONAL ACCESSORIES



**AVM-DBPN-BD1**  
DESKTOP TYPE BRACKET



**AVM-SBPN-BD1G**  
TURNSTILE TYPE BRACKET



**AVM-SBPN-BD1**  
FLOOR STANDING TYPE BRACKET



**AVR-HN808P8-FDT**  
FACIAL & TEMPERATURE DETECTION NVR



**SD-32G-WDP (32GB)**  
**SD-64G-WDP (64GB)**  
**SD-128G-WDP (128GB)**  
**SD-256G-WDP (256GB)**



**AVA-PAB-12VDH2A**  
POWER SUPPLY  
(NOT INCLUDED)

## SPECIFICATIONS

<b>PERFORMANCE</b>	
OS	Embedded Linux
Storage	8Gb DDR3 +16GB EMMC
<b>SCREEN</b>	
Display Screen	8inch LCD screen; resolution: 1280x800; contrast: 500:1
Brightness	500 lux
Control Interface	I2C
<b>TEMPERATURE MEASUREMENT</b>	
Temperature Measuring Range	89.6°F ~ 109.4°F (32°C ~ 43°C)
Accuracy	±0.54°F (±0.3°C)
Measuring Distance	0.3~0.5m
<b>FACE RECOGNITION</b>	
Sensor	1/2.7
Lens	2MP dual-lens, f=3.97mm @ F1.6
Lens Mount	M12
WDR	120db
Height Range of Face Recognition	1.2m-2.2m (the recommended installation height is 1.45m)
Face Recognition Distance	0.3m-2m
Recognition Mode	Face: 1 : N
Recognition Duration	≤ 0.5 s per person
Face Capacity	20,000
Recognition Accuracy	99.7%
<b>SUPPLEMENTARY LIGHT</b>	
Fill-in Light	Soft white light, IR light
White Light Distance	1-3m
<b>SMART LINKAGE</b>	
Screen Wakeup	Yes
Light Adjustment	Yes
Snapshot	Yes
<b>AUDIO</b>	
Two-way Talk	Yes (noise reduction and echo cancellation)
Audio Input	1CH built-in MIC
Audio Output	Built-in speaker
<b>INTERFACE</b>	
Network Interface	10/100Mbps self-adaptive Ethernet port x1
Alarm Input	2CH
Alarm Output	2CH
Wiegand Interface	Wiegand input/output (26/34)
RS485	RS485x1 (half duplex)
Door Lock Output	Relay output, NO/NC(optional), delay setting supported
SD Card Interface	1 micro SD card slot, up to 128G
USB Interface	USB x1
Anti-Tamper Interface	1 button
Exit Button	1
Reset Button	1
<b>GENERAL</b>	
Power	12V @2A
Power Management	Screen sleep, screen protection
Power Consumption	<12W
Weight	Approx. 2.65lbs (1.2kg)
Installation	Wall Mounting, Pole Mounting, Embedded Installation, Desktop
Protection	Surge Protection and Voltage Transient Protection
Certificate	CE, FCC
Environment Protection	Complies with Directive EU RoHS, WEEE(2012/19/EU), directive 94/62/EC and REACH(EC1907/2006)
Working Environment	32°F ~ 104°F (0°C ~ 40°C), <95% (non-condensing)
Dimensions	11.89" x 5.46" x 1.35" (301.8mm x 138.6mm x 34.2mm)