



AVR-NU804P4

NDAA COMPLIANT | CE | FC

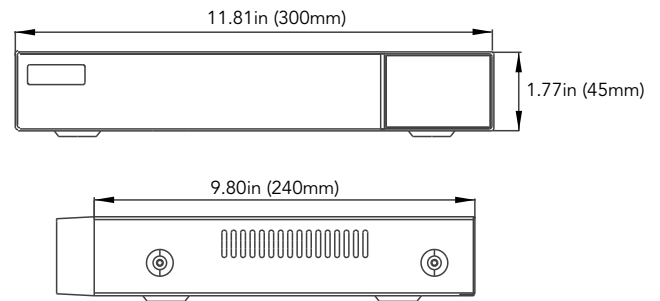
4 CH. 4K NETWORK VIDEO RECORDER
8MP / 6MP / 5MP / 4MP / 3MP / 1080P / 960P / 720P /
4 PORT PoE NVR

OVERVIEW

- Plug & Play (8MP/ 6MP / 5MP / 4MP / 3MP / 1080P / 1280×1024 / 960P / 720P / 960H / DI/ CIF) IP Network Cameras
- H.265 High Profile Compression for High Megapixel on Low Bit Rate
- Intuitive and user-friendly Graphical User Interface (GUI), Windows Operation by Mouse
- Multi-Mode Recording: Manual / Timer / Motion / Sensor/ POS / AI Recording
- Playback : 4 CH Simultaneous Playback
- Search : Time Slice, Time, Event, Tag, Smart Search
- Support Multiple VCA (Video Content Analytics) Events, Such as Object Abandoned/Missing, Region Intrusion, Tripwire, Video Exception, etc.
- Support POS Information Overlay on Live View and Playback
- Express and Flexible Backup via USB, Network and so on
- Pentaplex : Preview, Record, Playback, Backup and Remote Access
- DHCP, DDNS, PPPoE Network Protocol
- Remote Control via Web Client or CMS : Preview, Playback, Backup, PTZ and Configuration
- 4 PoE Network Ports, Support IPC Direct Connection to NVR; Support PoE Power Supply
- Dual Stream Technology for Local Storage with High Definition, Remote
- Network Transmission and Remote Surveillance with Mobile Device
- Support Multi-User Online Simultaneously
- Authorization Management, Log View and Device Status View
- 1080P Output, True High Resolution Display
- Support NAT function and QRCode scanning with mobile phones
- Professional HD Mobile Surveillance App for iOS and Android
- NDAA Compliant

DIMENSIONS

Unit : inch(mm)

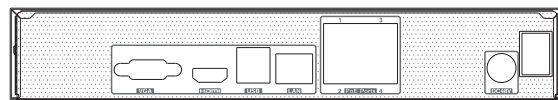


MOBILE APP

AVYCON MOBILE CVMS



REAR PANEL



SPECIFICATIONS

VIDEO	
IP Video Input	4 Channels IPC
Output	HDMI1: 1920 x 1080 / 1280 x 1024 / 1024 x 768 VGA x 1: 1920 x 1080 / 1280 x 1024 / 1024 x 768
IP Video Input Resolution	8MP/ 6MP/ 5MP/ 4MP/ 3MP/ 1080P/ 1280x1024/ 960P/ 720P/ 960H/ D1/ CIF @ 30/25/20fps
Incoming Bandwidth (Mbps)	28Mbps
Outgoing Bandwidth (Mbps)	28Mbps
Video Compression	Standard H.265
AUDIO	
Network Input	4 Channel IPC Audio Input
Local Output	No
2-Way Audio	No
HDMI Audio Output	Yes
Compression	G.711(U/A)
RECORDING	
Resolution	8MP/ 6MP/ 5MP/ 4MP/ 3MP/ 1080P/ 1280x1024/ 960P/ 720P/ 960H/ D1/ CIF
Record Stream	Dual Stream Recording
Mode	Manual, Timer, Motion, Sensor
PAYBACK	
Smart Search	Highlighted Color to Display the Camera Record in a Certain Period of Time(Scheduled, Motion, Alarm, Etc.) Different Colors Refers to Different Record Events
Search	Time slice / Time / Event / Tag Search / Smart Search
Function	Play, Pause, Fast Forward, Fast Rewind, Digital Zoom, etc.
Simultaneous Playback	Max 4 Channels
ALARM	
Alarm Input	IPC Alarm Input Supported
Alarm Output	IPC Alarm Input Supported
Mode	Manual, Sensor, Motion, Exception, Smart Events
Alarm Trigger	Record, Snap, Preset, E-mail, etc.
STORAGE	
HDD Interface	SATA x 1, Max 10TB per HDD
BACKUP	
Network Backup	Yes
Local Backup	USB Flash Drive, USB Mobile HDD
NETWORK	
Interface	RJ45 10 / 100 / 1,000 Mbps x 1
PoE Port	100M RJ45 x 4
Protocol	TCP / IP, DHCP, DNS, DDNS, UPnP, NTP, SMTP, HTTP, HTTPS, 802.1x, RTSP, SNMP, ONVIF, etc. PPPoE
Web Client	Max. 10 Online Users
EXTERNAL INTERFACE	
Remote Controller	Optional
USB	USB 2.0 x 2 (Rear Panel)
VIDEO ANALYTICS	
License Plate Recognition	Supported on v1.4.4 (used with the AVC-NBL21M-L1 & AVC-NBL41M-L1)
GENERAL	
Power Supply	DC 48V/1.25A
Power Consumption	≤6W (Without HDD)
Working Environment	14°~122°F (-10°~50° Celcius)
Working Humidity	10% ~ 90% (Non-Condensing)
Dimensions	10.04" x 8.74" x 1.65" (255mm x 222mm x 42mm)

HDD OPTIONS

- 1TB HDD: AVR-NU804P4-1T
- 2TB HDD: AVR-NU804P4-2T
- 3TB HDD: AVR-NU804P4-3T
- 4TB HDD: AVR-NU804P4-4T
- 6TB HDD: AVR-NU804P4-6T
- 8TB HDD: AVR-NU804P4-8T
- 12TB HDD: AVR-NU804P4-12T
- 18TB HDD: AVR-NU804P4-18T