



# AVR-NN832E2N-FD

NDAA COMPLIANT | CE | FCC

32 CH. 4K UHD NETWORK VIDEO RECORDER  
12MP / 8MP / 6MP / 5MP / 4MP / 3MP / 1080P / 960P / 720P /  
DUAL NIC / NON-PoE NVR

## OVERVIEW

- Supports up to 32 Channels 8MP / 6MP / 5MP / 4MP / 3MP / 1080P / 960P / 720P IP Camera video input
- Supports H.265 High Profile Compression
- 4K HDMI Output
- Multi-Mode Recording: Manual / Scheduled / Motion / Alarm / AI (Video Analytics)
- Playback: 16 Channels Simultaneous Playback
- Supports Multiple Video Analytics, such as Missing or Abandoned Object, Region Intrusion, Tripwire, Video Tampering, etc.
- Supports POS Information Overlay on Live View and Playback
- Quick and Easy Backup via USB, Network and Mobile App
- Pentaplex Operation: Live View, Record, Playback, Backup and Remote Access
- Supports DHCP, DDNS, PPPoE and various other Network Protocols
- Compatibility with a Variety of 3rd-Party IP Cameras including ONVIF
- Remote Access via Web Interface or AVYCON CVMS: Live Playback, Backup, PTZ, and System Configuration
- Dual Stream Technology allows for High Quality Local Recordings and Standard Quality Video for Mobile and Remote Access
- Allows Simultaneous Online Users to Access Device
- Support PTZ Preset and Auto-Cruise, with Up to 255 Presets and 8 Cruise Paths
- Support NAT Function and QR Code Scanning Mobile Apps, Eliminating the Need to Configure Port Forwarding
- Powerful Mobile Apps on iOS and Android
- Supports Smart Analytics with xHN Series Cameras (available features depend on camera model)
- NDAA Compliant

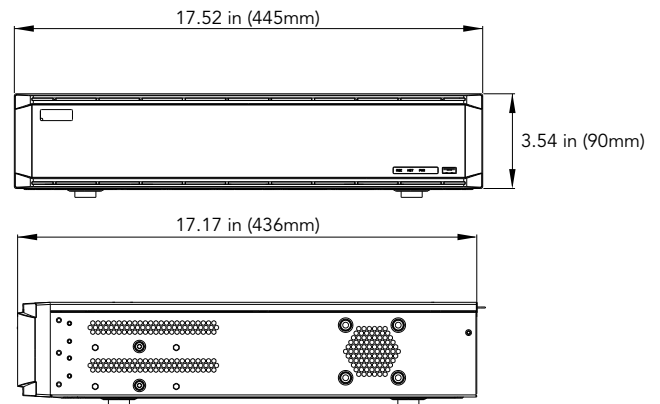
## MOBILE APP

AVY MOBILE CVMS



## DIMENSIONS

Unit : inch(mm)



## REAR PANEL



## SPECIFICATIONS

VIDEO	
IP Video Input	32 Channels
Output	HDMI1: 3840 x 2160@60fps / 3840 x 2160@30fps / 1920 x 1080 / 1280 x 1024 / 1024 x 768 HDMI2 / VGA x 1: 1920 x 1080 / 1280 x 1024 / 1024 x 768
IP Video Input Resolution	12MP / 8MP / 6MP / 5MP / 4MP / 3MP / 1080P / 1280X1024 / 960P / 720P / 960H / D1 / CIF
Incoming Bandwidth (Mbps)	160
Outgoing Bandwidth (Mbps)	160
Video Compression	Standard H.264 / H.265
AUDIO	
Network Input	32 Channel IPC Audio Input
Local Output	RCA x 1
2-Way Audio	RCA x 1
HDMI Audio Output	Yes
Compression	G.711(U/A)
RECORDING	
Resolution	12MP / 8MP / 6MP / 5MP / 4MP / 3MP / 1080P / 1280x1024 / 960P / 720P / 960H / D1 / CIF
Frame Rate	25fps(PAL) / 30fps(NTSC)
Record Stream	Dual Stream Recording
Mode	Manual, Timer, Motion, Sensor, Smart Events
PLAYBACK	
Smart Search	Recorded Events are Color-Coded to Reflect the Specific Type of Event that was Recorded (Scheduled, Motion, Alarm, Etc.)
Search	Time slice / Time / Event / Tag Search
Simultaneous Playback	Max 16 Channels
Live / Playback Channel	@ 12MP / 4 Channels @ 5MP / 9 Channels @ 720P / 16 Channels @ 720P
ALARM	
Alarm Input	24 Channels Local Alarm Input; IPC Alarm Input Supported
Alarm Output	8 Channels
Mode	Manual, Sensor, Motion, Exception, Smart Events
FACE	
Face Detection (Camera Detection)	32 Channels
Face Detection (NVR Detection)	4 Channels
Face Match Performance	16 Channels
Face Picture Database	32 Libraries; 10,000 Face Pictures
Comparison Capability	36 Pictures/second
Face Picture Adding	Ability to Add Face Pictures via Mobile App, Web Interface, and NVR Local GUI
Face Picture Search	Yes
Face Tracking	Yes
Database Management	Add, Modify, Delete, and Search Face Pictures
Face Picture Comparison	Supports Standard Comparison, with the Ability to Add Faces to an Allowed or Block List
Face Track Map	Resolution: ≤2560 x 1920; Size: ≤512KB; Formats: .jpg, .jpeg
External Face Picture Enrollment	Resolution: 128 x 128 ~ 1920 x 1080; Size: ≤70KB; Formats: .jpg, .jpeg
Face Info Statistic Mode	Statistics by Day, Week, Month, Quarter as well as Customized Time Period
Face Info Statistic Graph	Bar Graph
STORAGE	
HDD Interface	SATA x 8, Max 18T per HDD; e-SATA x 1
RAID Type	RAID0, 1, 5, 6, 10
BACKUP	
Network Backup	Yes
Local Backup	USB Flash Drive, USB Mobile HDD
NETWORK	
Interface	RJ45 10 / 100 / 1,000 Mbps x 2
Protocol	TCP / IP, PPPoE, DHCP, DNS, DDNS, UPnP, NTP, SMTP, HTTP, HTTPS, 802.1x
EXTERNAL INTERFACE	
RS-485	Yes (Full-Duplex), Connect to PTZ keyboard
RS-232	Yes
Reset	Yes
Remote Controller	Optional
USB	USB 2.0 x 2, USB 3.0 x 1

## SPECIFICATIONS

GENERAL	
Smart Analytics	Support with xHN Series Cameras (available features depend on camera model)
Smart Events	People/Vehicle Detection, Line Crossing, Object Abandonment, People Counting, Region Entrance, Crowd Density
License Plate Recognition	Supported on v1.4.4 (used with the AVC-NBL21M-L1)
Fisheye Dewarping	Supported (used with the AVC-PHN61FLT)
Facial Recognition	Supported (used with the latest xHN Series Cameras)
Power Supply	ATX 250W
Power Consumption	≤50W (Without HDD)
Working Environment	5°~122°F (-15°~50° Celcius)
Dimensions	17.52" x 17.17" x 3.54" (445mm x 436mm x 90mm)

## HDD OPTIONS

- 1TB HDD: AVR-NN832E2N-FD-1T
- 2TB HDD: AVR-NN832E2N-FD-2T
- 3TB HDD: AVR-NN832E2N-FD-3T
- 4TB HDD: AVR-NN832E2N-FD-4T
- 6TB HDD: AVR-NN832E2N-FD-6T
- 8TB HDD: AVR-NN832E2N-FD-8T
- 12TB HDD: AVR-NN832E2N-FD-12T
- 16TB HDD: AVR-NN832E2N-FD-16T
- 18TB HDD: AVR-NN832E2N-FD-18T
- 20TB HDD: AVR-NN832E2N-FD-20T
- 24TB HDD: AVR-NN832E2N-FD-24T
- 28TB HDD: AVR-NN832E2N-FD-28T
- 32TB HDD: AVR-NN832E2N-FD-32T
- 36TB HDD: AVR-NN832E2N-FD-36T
- 42TB HDD: AVR-NN832E2N-FD-42T
- 48TB HDD: AVR-NN832E2N-FD-48T
- 56TB HDD: AVR-NN832E2N-FD-56T
- 64TB HDD: AVR-NN832E2N-FD-64T