

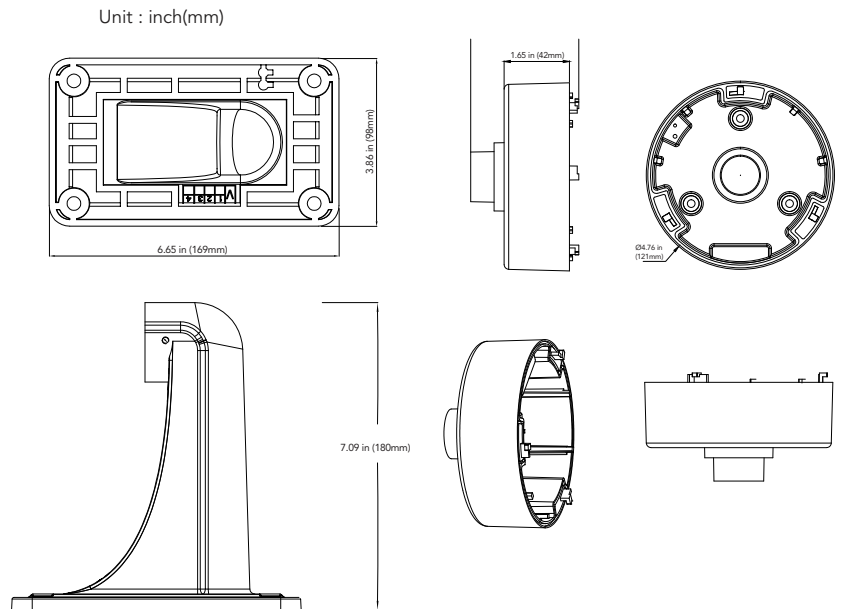
AVM-HWM-V-S1

HEAVY DUTY WALL MOUNT WITH JUNCTION BOX FOR FIXED LENS VANDAL DOME CAMERAS

OVERVIEW

- Aluminum alloy material with surface spray treatment
- Wall mounting bracket

DIMENSIONS



SPECIFICATIONS

GENERAL	
Material	Aluminum alloy
Color	White
Working Temperature	-40°C~60°C (-40°F~140°F)
Working Humidity	10~90% (Non-Condensing)
Dimensions	mount: (180mm x 169mm x 98mm) junction box: (121mm x 69.5)