



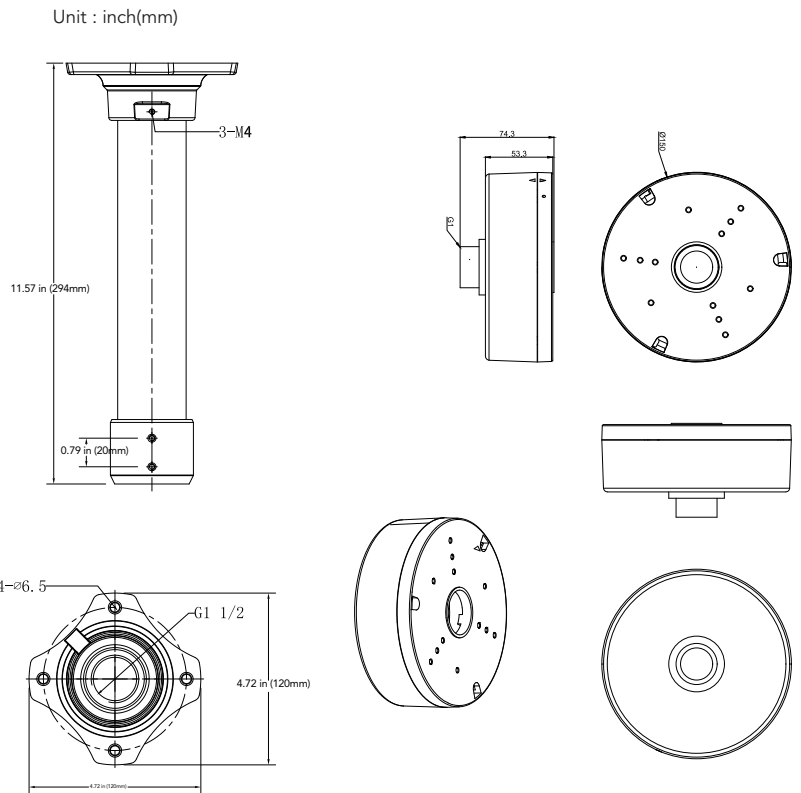
AVM-HCM-E-L1

HEAVY DUTY CEILING MOUNT (10" LONG) WITH JUNCTION BOX FOR VF/MOTORIZED LARGE EYEBALL CAMERAS

OVERVIEW

- Aluminum alloy material with surface spray treatment
- Ceiling mounting bracket

DIMENSIONS



SPECIFICATIONS

GENERAL	
Material	Aluminum alloy
Color	White
Working Temperature	-40°C~60°C (-40°F~140°F)
Working Humidity	10~90% (Non-Condensing)
Dimensions	pole: 11.57in x 4.72in (294mm x 120mm)