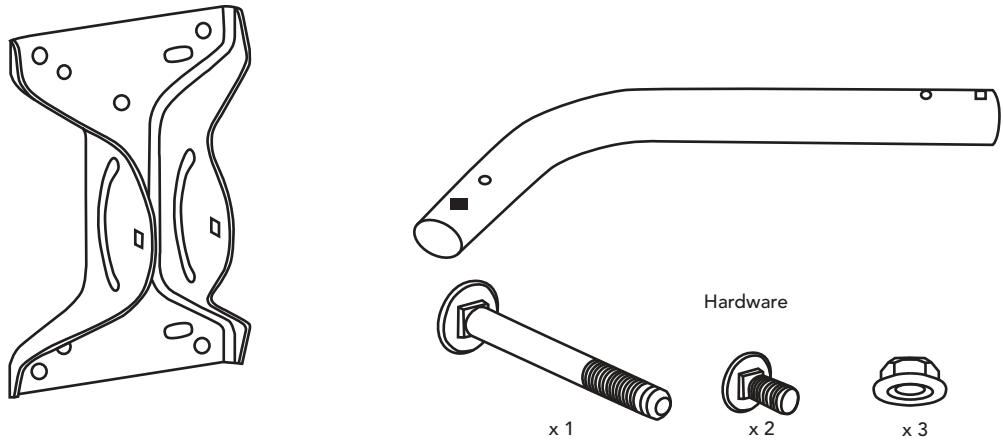


### Contents

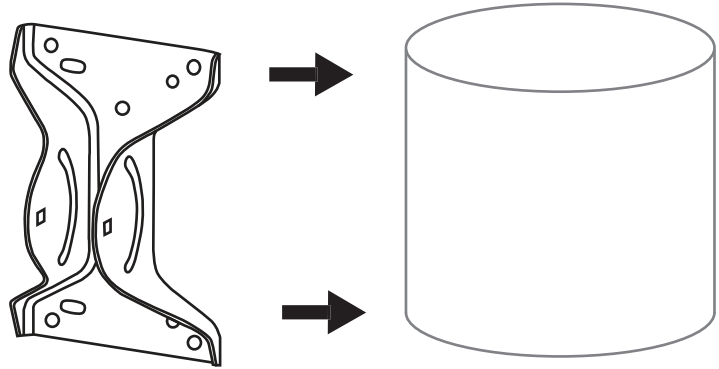
- Base x 1
- Pole x 1
- M6 pivot Bolt x 1
- M6 adjusting bolt x 2
- M6 serrated flange nut x 3

\*Tools required:  
-10mm wrench



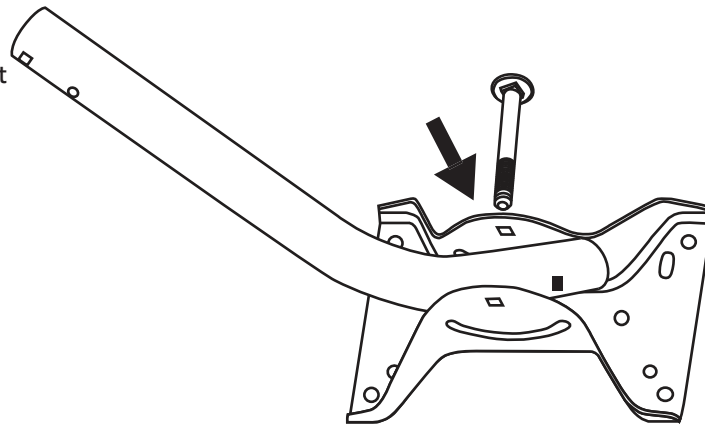
### Step 1:

Install the base to the mounting surface.



### Step 2:

Install the pole to the base using the pivot bolt and secure with the flange nut.



### Step 3:

Place the adjusting bolts through the pole with the threads facing out  
Secure the adjusting bolts with the flange nuts.

