



AVC-TV82M

NDAA
COMPLIANT

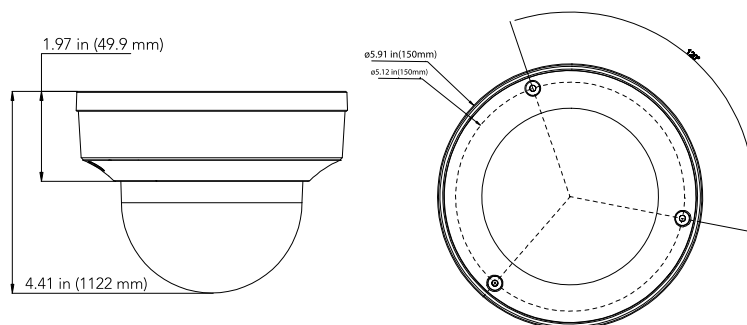
8MP HD-TVI MOTORIZED VARIFOCAL VANDAL DOME CAMERA

OVERVIEW

- 8MP (3840 X 2160)
- Motorized 2.7 - 13.5 mm Lens
- HD-TVI / CVI / AHD / CVBS (Analog)
- Easy-to-Use DIP Switch to Change Formats
- True Day / Night
- Smart IR Illumination Up to 115ft.
- Digital NR
- DWDR
- IP67 Outdoor Rating
- IK10 Vandal Proof Rating
- Dual Voltage: DC 12V (±10%, 6W Consumption) & AC24V
- NDAA Compliant

DIMENSIONS

Unit : inch(mm)



OPTIONAL ACCESSORIES



AVM-JB-V-L1
JUNCTION BOX



AVM-CWM-EDV-L1
COMPACT WALL MOUNT



AVM-HWM-V-L1
HEAVY-DUTY WALL MOUNT



AVM-HCM-V-L1
CEILING MOUNT



AVM-CRM-A1
CORNER MOUNT



AVM-POM-A1
POLE MOUNT



AVM-RM-V-L1
RECESSED CEILING MOUNT

SPECIFICATIONS

| CAMERA | |
|------------------------------|--|
| Image Sensor | 1/2.7" Progressive Scan CMOS |
| Resolution | 8MP |
| Image Size | 3840 X 2160 |
| Video Output | 1-channel BNC Video Output |
| Image System | PAL / NTSC |
| Electronic Shutter | 1/15s to 1/50,000s |
| IR Distance | Up to 115ft (35m) |
| Video Formats | HD-TVI / AHD / CVI / CVBS (Analog) |
| Frame Rate | HD-TVI / AHD / CVI / CVBS (Analog): 15 FPS |
| Min. Illumination | 0.05luxF1.2(AGC ON), 0Lux with IR ON |
| Lens | Motorized 2.7 - 13.5mm Lens |
| Horizontal Field of View | 115.9°(W) & -33.8°(T) |
| Lens Mount | φ14mm |
| S/N Ratio | 36dB |
| Function Control | OSD, Control over Coax (UTC) |
| IMAGE | |
| Day & Night | EXT / Auto / Color / BW (Black and White) |
| Digital WDR | Yes |
| Digital NR | Yes (3D DNR) |
| Auto Gain Control (AGC) | Yes |
| Auto White Balance (AWB) | Yes |
| Backlight Compensation (BLC) | Yes |
| Edge Brightness Compensation | Yes |
| Defog | No |
| HLC | Yes |
| Sharpness | Yes |
| Mirror Image | Yes |
| Smart IR (Anti-SAT) | Yes |
| Image Setting | Yes |
| Defect Correction | Auto / Manual |
| GENERAL | |
| Angle Adjustment | Any Angle |
| Input Voltage | DC 12V (±10%) & AC24V |
| Power Consumption | Maximum 6W |
| Ingress Protection | IP67 |
| Vandal Rating | IK10 |
| Working Environment | -22°~131° F (-30°~55° Celcius) |
| Dimensions | Ø5.91" x 4.41" (Ø150.0mm x 112.0mm) |