



## AVC-TE81M

NDA  
COMPLIANT | CE | FC

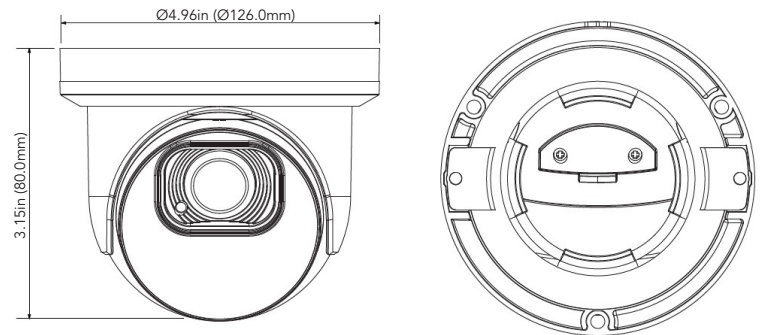
8MP HD-TVI VARIFOCAL TURRET CAMERA

### OVERVIEW

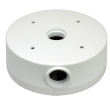
- 8MP (3840x2160)
- HD-TVI / CVI / AHD / CVBS (Analog)
- True Day & Night ICR
- Motorized Varifocal 2.7-13.5mm Lens
- Easy-to-Use DIP Switch to Change Formats
- 2D DNR, 3D DNR, WDR, BLC
- Smart IR Illumination Up to 115ft
- IP67 ingress protection
- DC12V

### DIMENSIONS

Unit : inch(mm)



### OPTIONAL ACCESSORIES



AVM-JB-BE-L1  
JUNCTION BOX



AVM-CWM-EDV-L1  
COMPACT  
WALL MOUNT



AVM-HWM-E-L1  
WALL MOUNT  
WITH JUNCTION BOX



AVM-HCM-E-L1  
CEILING MOUNT  
WITH JUNCTION BOX



AVM-POM-A1  
POLE  
MOUNT BRACKET



AVM-CRM-A1  
CORNER  
MOUNT BRACKET

## SPECIFICATIONS

CAMERA	
Image Sensor	1/2.7" Progressive Scan CMOS
Resolution	8MP
Image Size	3840x2160
Video Output	1 channel BNC Video Output
Image System	PAL / NTSC
Electronic Shutter	1/15s to 1/50,000s
IR Distance	Up to 115ft.
Video Formats	HD-TVI / AHD / CVI / CVBS (Analog)
Frame Rate	HD-TVI / AHD / CVI / CVBS (Analog): 15 FPS CVBS Analog: 30 FPS
Min. Illumination	0.05 lux @ F1.2 (AGC ON), 0 lux with IR ON
Lens	Motorized 2.7-13.5mm Lens
Horizontal Field of View	115.9°(W)~33.8°(T)
Lens Mount	φ14mm
S/N Ratio	36dB
Function Control	OSD, Control over Coax (UTC)
IMAGE	
Day & Night	EXT / Color / BW (Black and White)
WDR	Yes
Digital NR	Yes (2D DNR / 3D DNR)
Auto Gain Control (AGC)	Yes
Auto White Balance (AWB)	Yes
Backlight Compensation (BLC)	Yes
Edge Brightness Compensation	Yes
Defog	No
HLC	No
Sharpness	Yes
Mirror Image	Yes
Smart IR (Anti-SAT)	Yes
Image Setting	Yes
Defect Correction	Auto / Manual
GENERAL	
Angle Adjustment	Manual Adjustment
Input Voltage	DC 12V (±10%)
Power Consumption	Maximum 6W
Ingress Protection	IP67
Working Environment	-22°~131°F (-30°~55°C)
Dimensions	4.96x3.15in (126.0x80.0mm)