



AVC-TE21V

NDA
COMPLIANT | CE | FC

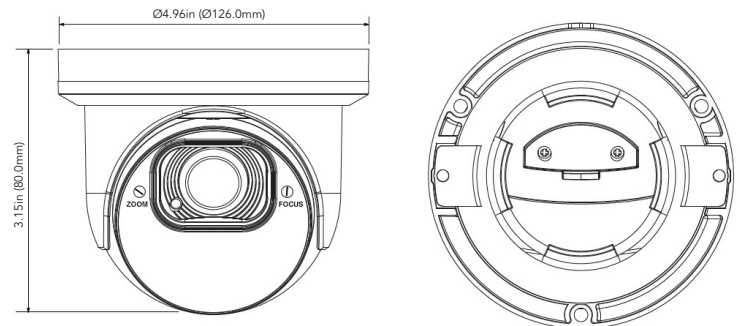
2MP HD-TVI VARIFOCAL TURRET CAMERA

OVERVIEW

- 2MP (1920x1080)
- HD-TVI / CVI / AHD / CVBS (Analog)
- True Day & Night ICR
- Manual Varifocal 2.7-13.5mm Lens
- Easy-to-Use DIP Switch to Change Formats
- 2D DNR, 3D DNR, BLC
- Smart IR Illumination Up to 115ft
- IP67 ingress protection
- DC12V

DIMENSIONS

Unit : inch(mm)



OPTIONAL ACCESSORIES



AVM-JB-BE-L1
JUNCTION BOX



AVM-CWM-EDV-L1
COMPACT
WALL MOUNT



AVM-HWM-E-L1
WALL MOUNT
WITH JUNCTION BOX



AVM-HCM-E-L1
CEILING MOUNT
WITH JUNCTION BOX



AVM-POM-A1
POLE
MOUNT BRACKET



AVM-CRM-A1
CORNER
MOUNT BRACKET

SPECIFICATIONS

CAMERA	
Image Sensor	1/2.7" Progressive Scan CMOS
Resolution	2MP
Image Size	1920x1080
Video Output	1 channel BNC Video Output
Image System	PAL / NTSC
Electronic Shutter	1/15s to 1/50,000s
IR Distance	Up to 115ft.
Video Formats	HD-TVI / AHD / CVI / CVBS (Analog)
Frame Rate	HD-TVI / AHD / CVI / CVBS (Analog): 30 FPS
Min. Illumination	0.01 lux @ F1.2 (AGC ON), 0 lux with IR ON
Lens	Manual 2.7-13.5mm Lens
Lens Mount	φ14mm
S/N Ratio	39dB
Function Control	OSD, Control over Coax (UTC)
IMAGE	
Day & Night	EXT / Color / BW (Black and White)
WDR	No
Digital NR	Yes (2D DNR / 3D DNR)
Auto Gain Control (AGC)	Yes
Auto White Balance (AWB)	Yes
Backlight Compensation (BLC)	Yes
Edge Brightness Compensation	Yes
Defog	No
HLC	No
Sharpness	Yes
Mirror Image	Yes
Smart IR (Anti-SAT)	Yes
Image Setting	Yes
Defect Correction	Auto / Manual
GENERAL	
Angle Adjustment	Manual Adjustment
Input Voltage	DC 12V (±10%)
Power Consumption	Maximum 3W
Ingress Protection	IP67
Working Environment	-22°~131°F (-30°~55°C)
Dimensions	Ø4.96x3.15in (Ø126.0x80.0mm)