



# AVC-TCE81F28

NDA  
COMPLIANT

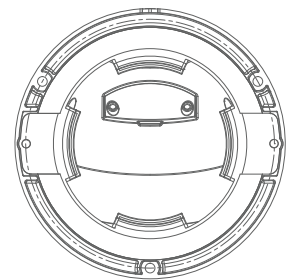
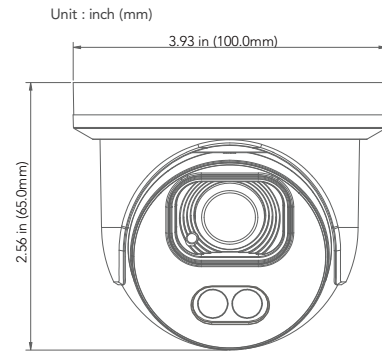
8MP INFINITECOLOR FIXED TURRET CAMERA

## OVERVIEW

- 8MP ( 3840 x 2160 ) @ 15fps
- Max. Resolution: 3840 x 2160
- True Day & Night ICR
- Up to 98 ft. IR Illumination
- Fixed 2.8mm Lens
- 2D DNR, HLC, BLC
- AoC(Audio over Coaxial) up to 22.9ft
- Supports Remote Access with Windows, macOS, iOS and Android
- Operating Temperature: -22°F - 122°F
- DC12V
- NDA Compliant

## DIMENSIONS

Unit : inch(mm)



## OPTIONAL ACCESSORIES



AVM-JB-BE-S1(-G)  
JUNCTION BOX



AVM-CWM-EV-S2  
WALL MOUNT



AVM-HWM-E-S1  
WALL MOUNT WITH  
JUNCTION BOX



AVM-HCM-E-S1  
CEILING MOUNT WITH  
JUNCTION BOX



AVM-CRM-A1  
CORNER MOUNT



AVM-POM-A1  
POLE MOUNT

## SPECIFICATIONS

CAMERA	
Image Sensor	1/2.7" Progressive Scan CMOS
Resolution	8MP
Image Size	3840 x 2160
Video Output	1-channel BNC Video Output
Image System	PAL / NTSC
Electronic Shutter Speed	Auto
IR Distance	Up to 98ft.
Video Formats	HD-TVI / AHD / CVI / CVBS(Analog)
Frame Rate	HD-TVI / AHD / CVI : 15 FPS CVBS Analog: 960H
Min. Illumination	0.05lux@F1.2(AGC ON),0Lux with IR ON
Lens	fixed 2.8mm Lens
Angular Field of View	H:109.7° / V:57.6° / D:131.0°
Lens Mount	φ14mm
S/N Ratio	36dB
Function Control	OSD, Control over Coax (UTC)
IMAGE	
Day & Night	Color / Ext / BW ( Black and White)
Digital WDR	N/A
Digital Noise Reduction	Yes (2D DNR)
Auto Gain Control (AGC)	Yes
Auto White Balance (AWB)	Yes
Backlight Compensation (BLC)	No
Edge Brightness Compensation	Yes
Defog	Yes
HLC	Yes
Sharpness	Yes
Mirror Image	Yes
Smart IR (Anti-SAT)	Yes
Image Setting	Yes
Defect Correction	Auto / Manual
GENERAL	
Audio	Audio over coaxial
Audio Range	22.9ft(7m)
Angle Adjustment	Any Angle
Input Voltage	DC 12V (±10%)
Power Consumption	IR OFF ≤0.8W, IR ON ≤4W
Ingress Protection	IP67
Working Temperature	-22°~131° F (-30°~55° Celcius)
Dimensions	3.93" x 2.56" (100.0mm x 65.0mm)

