



# AVC-SSBN31M

CE | FC

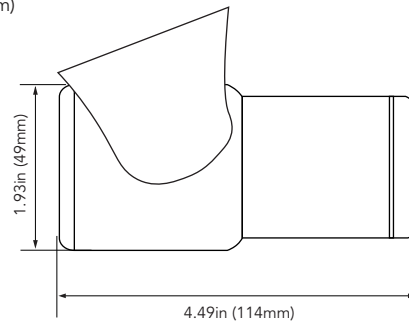
3MP H.265 STAINLESS STEEL VARIFOCAL BULLET CAMERA

## OVERVIEW

- H.265 3 MP CMOS Sensor
- 2.8~12mm Varifocal Lens
- 30fps @ 3MP (2048x1536)
- Triple Stream (H.265, H.264, MJPEG)
- Smart IR Enhance Night Vision
- IP67 Waterproof / Dustproof
- PoE or 12VDC

## DIMENSIONS

Unit : inch(mm)



## SPECIFICATIONS

CAMERA	
Image Sensor	1/2.9" progressive scan CMOS
Resolution	2048x1536, 1920x1080, 1280x720, 640x352, 320x176, 160x96
Image Size	2048x1536
Video Encoding	Simultaneous Dual Stream: H.265/H.264/MJPEG True H.265/H.264 Dual Stream: H.265/H.264 Simultaneous streaming with independent control
Lens / IR	2.8~12mm Varifocal Lens / 24 Pc IR LED
Illumination	0.0016 Lux
IMAGE	
Total Pixels	2000(H) x 1241(V) = 2.48MP
Pixel Size	2.048(H) μm x 1.536(V) μm
Color Filter	Bayer Arrangement of Primary Colors: R, G, B
Bit Number of Internal ADC	10/12 bits
Parallel Output	37.125 MHz, 10/12 bits
Max. Frame Rate	All-pixel Scan Mode: 60/30fps
Image Controls	Day & Night (Auto/B&W/Off), AWB, Noise Filter (Off/On)
NETWORK	
Bandwidth Management	Frame rate control / Bandwidth control / CBR / VBR
External Interface	10/100-Base-T Ethernet (auto-sensing), 1 DI/DO (3.3V TTL)
Serial Interface	Console, By-pass command to control UART device
MECHANICAL	
Housing	AISI SS316 / IP67 Environmental rating
Ground Screws	Internal & External
Cover Set Screw	Tamper Resistant Cover Set Screws
Color / Material	Gray / Stainless Steel
Dimensions	1.93x4.49in (49x114mm)
Weight	2.03lbs (920g)
ENVIRONMENTAL/ELECTRICAL	
Power	PoE or 12V DC (4.8W Max. Consumption)
Conduit Connections	2 x 3/4" NPT Standard Connections
Operation Temperature	14°~122°F (-19°~50°C)