



AVC-PRT91FT

NDA
COMPLIANT

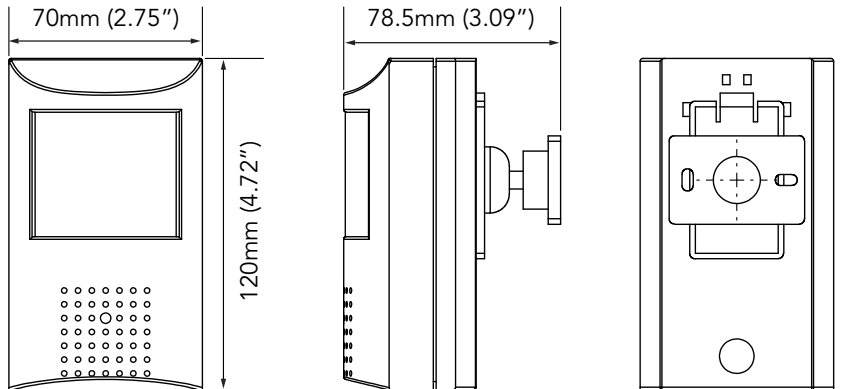
2.1MP HD-TVI PINHOLE LENS PIR TYPE CAMERA

OVERVIEW

- TVI Solution
- 1/2.9" Progressive Scan CMOS
- 3.7mm Megapixel Pinhole Lens (ICR)
- Video Output: HD 1080P @ 30fps / 25fps
- 2DNR / 3DNR / Smart NR / Sens-up / Digital Zoom etc.
- Support UTC Function to Remote Control OSD Menu
- Dual Video-Out (HD-TVI / Analog)
- DC 12V
- Indoor Only

DIMENSIONS

Unit : inch(mm)



OPTIONAL ACCESSORIES

SPECIFICATIONS

GENERAL	
Image Sensor	1/2.9" Progressive Scan CMOS
Resolution	2.1MP
Lens	Fixed 3.7mm Lens
Sync System	Internal Sync
HD-TVI Resolution	1920 x 1080
Horizontal Field of View	80°
OSD Menu	Yes (Support Coaxial)
Video Output	TVI / CVBS: 1.0Vp-p 75Ω
S/N Ratio	>45dB (max 70dB)
Working Environment	14°F ~ 140°F (-10°C ~ 60°C)
Storage Temperature	24.8°F ~ 176°F (-4°C ~ 80°C)
Power Requirement	DC 12V
Weight	120g