



## AVC-PRHN21FT

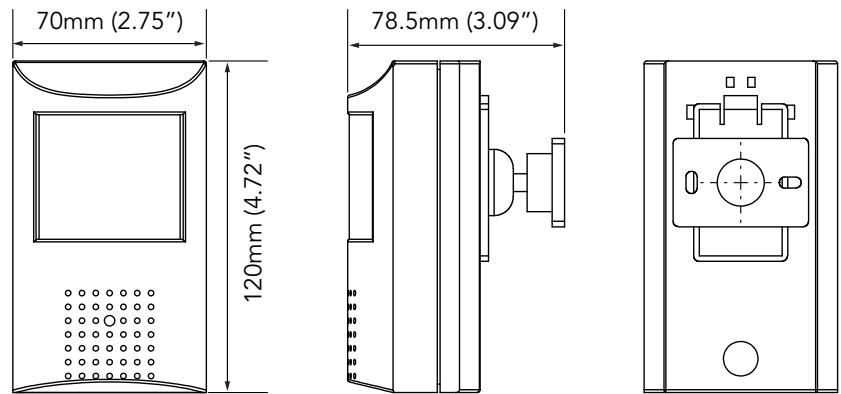
2.1MP IP PINHOLE LENS PIR TYPE CAMERA

### OVERVIEW

- H.264 Compression
- 1/2.8" 4 Megapixel CMOS Sensor
- Effective Pixels: 1920 x 1080
- 3.7mm Fixed Lens
- 2MP @ 30fps
- 0.001 Lux @ F1.2, AGC ON, 0 Lux with IR
- DWDR
- 12V DC / PoE

### DIMENSIONS

Unit : inch(mm)



### OPTIONAL ACCESSORIES

## SPECIFICATIONS

GENERAL	
Image Sensor	1/2.8" CMOS Sensor
Image Size	1920 x 1080
Electronic Shutter	1/25s ~ 1/100000s
Minimum Illumination	Color: 0.001lux@F1.2, AGC ON, B/W: 0lux with IR
IR On/Off Control	No
Focal Length	3.7mm Fixed Lens
Angle of View	No
Angle Adjustment	No
IR Distance	No
Wide Dynamic Range	DWDR
S/N Ratio	N/A
Video Compression	H.264 / MJPEG
Video Resolution	1080P (1920 x 1080), 720P (1280 x 720), D1, CIF, 480 x 240
Video Frame Rate	60Hz: 1080P (1~30fps) / 720P (1~30fps)
Video Bitrate	32 Kbps ~ 2048 Kbps
Day / Night	ICR
Video Encode	VBR / CBR
BLC Mode	N/A
HLC	N/A
White Balance	N/A
ROI	3 ROI
Gain Control	N/A
Digital Noise Reduction	3D DNR
Defog	N/A
Quality	Five levels under VBR; Freely adjustable under CBR
Audio Compression	No
Audio In	No
Audio Out	No
IPC Alarm	Motion Alarm
Alarm In	No
Alarm Out	No
AI Perimeter Protection	No
Ethernet	RJ45 x 1
Network Protocol	TCP / IP, UDP, DHCP, NTP, RTSP, PPPoE, DDNS, SMTP, FTP
Storage	Network remote storage
Storage Card	No
Web Viewer	IE browsing
General Function	Watermark, IP Address Filtering, Access Policy, RTSP Authentication, User Authentication
Network Max. Users	Support simultaneous monitoring for up to 10 users; Support multi-stream real time transmission
Mobile	iPhone, Android
Video Output	No
RS485	No
Power Supply	DC 12V / PoE
Power Consumption	200mA
Operating Temperature	-13°F ~ 131°F (-25°C ~ 55°C), 10% ~ 90% humidity
Ingress Protection	Indoor
Dimensions	4.7" x 2.7" (Φ 120 x 69mm)
Weight	0.26Lbs (120g)