



## AVC-PNN41X04L

NDA  
COMPLIANT | CE | FC

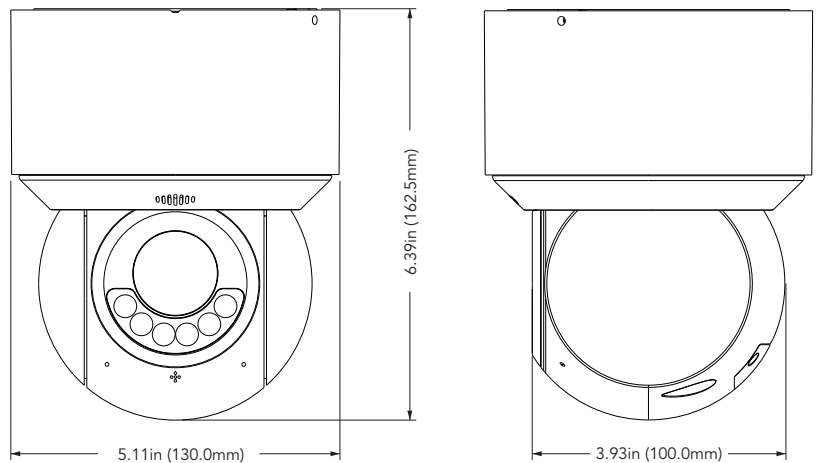
4MP H.265 NETWORK IR SPEED CAMERA

### OVERVIEW

- Progressive scan BSI+NIR image sensor
- Up to 2560x1440 resolution
- Mini illumination: Color: 0.01 lux @ (F1.6 AGC ON), 0 Lux with IR
- 4x optical zoom, fast and accurate
- Smart 4 IR LEDs, up to 50m; 2 white LEDs, up to 30m
- Bi-directional audio, built-in Mics & Speaker
- 30m for audible warnings, 7m for voice recording
- AI-based human vehicle detection & classification and tracking, perimeter precaution, crossing line, etc.
- SD/TF card chamber, Reset button, Alarm in/out
- PoE+ or DC12V power supply, easy installation
- IP66 water-proof, IK10, -40°C~70°C
- Onvif, API, SDK, IE/NVR/VMS/free mobile Apps
- Built-in micro SD card slot with video and still image capture function (up to 256GB)

### DIMENSIONS

Unit : inch(mm)



### OPTIONAL ACCESSORIES



AVM-PT-CMT-N20  
CEILING MOUNT



AVM-PWMT-FE1  
WALL MOUNT

## SPECIFICATIONS

CAMERA	
Image Sensor	1/2.7" progressive scan CMOS with BSI and NIR+ technology
Mini. Illumination	Color 0.01 Lux @ (F1.6 AGC ON) B/W 0.002Lux @(F1.6 AGC ON);0Lux with IR
Image Setting	Flip, Mirror, Saturation, Brightness, Contrast, Sharpness, AGC, and AWB adjusted by client
Shutter Speed	50Hz: 1/25s~1/25,000s, 60Hz: 1/30s~1/30,000s
White Balance	Auto/Manual/Indoor/Outdoor
Gain	Auto/Manual
Day & Night	Auto/Manual
Aperture Control	N/A
S/N Ration	≥52dB
3D DNR	Auto/Manual
AE Enhancement	BLC, HLC, WDR
Private Mask	4 Programmable privacy masks
Picture Overlay	Logo picture could be overlaid on video with 128x128 pixels, 24 bits JPG format
Font Overlay	Max 15 characters per line, 8 lines max, white color or red color
LENS	
Focus Length	f=2.8-12mm lens,4x optical
Zoom Speed	About 1.6s (Wide->tele)
Field of View	Horizontal: 97° to 31°±5%; Vertical: 51° to 18°±5%; Diagonal: 115° to 36°±5% (wide-tele)
Working Distance	Wide: 0.3m ~ INF; tele: 0.5m ~ INF
Aperture Range	F1.6~ F2.7 (wide-tele)
IR Cut Filter	Electrical switchable ICR
PTZ	
Pan Range	0~355°
Pan Speed	Configurable, from 0.1~80°/s; Preset speed: 80°/s
Tilt range	From -5° to 90°
Tilt Speed	Configurable, from 0.1°~ 60°/s, Preset speed: 60°/s
Pan/Tilt Action Interval	At least 10 seconds, adjustable
Proportional Zoom	Yes
Preset	300
Cruise	8 cruises, up to 16 presets for each cruises
Trace	4 traces, record time over 3 minutes for each trace
Power-off-Memory	Support
Action Mode	Preset/Cruise/Trace/Auto Scan/Random Scan
3D Position Display	Support
PTZ Position Display	Support
Schedule Task	Preset/Cruise/Trace/Random Scan/Boundary Scanning /Dome reboot
SUPPLEMENT LIGHT	
IR Distance	Up to 50m,4pcs of IR array into 2 groups, auto switch with zoom ratio
Smart IR	Yes
White Light Distance	Up to 30m, 2pcs of White LED Array
White Light Mode	Flashing mode, torque mode, time interval adjustable
NETWORK	
Max Resolution	2560×1440
Main Stream	25fps (2560×1440, 2048×1536, 1920×1080, 1280×960, 1280×720); 30fps (2560×1440, 2048×1536, 1920×1080, 1280×960, 1280×720)
Sub Stream	25fps (704 × 576, 640 × 480, 352 × 288) 30fps (704 × 480, 640 × 480, 352 × 240)
Third Stream	25fps (1280 × 720, 704 × 576, 640 × 480, 352 × 288) 30fps (1280 × 720, 704 × 480, 640 × 480, 352 × 240)
Video Compression	Smart H.265+/H.265/H.264+/H.264/MJPEG
H.264 Encoder	H.264/AVC codec BP/MP/HP, level 5.1
H.265 Encoder	H.265/HEVC codec MP, level 5.0
Video Bit Rate	64Kbps ~ 16Mbps
Audio Compression	G.711 A/U
Audio Bit Rate	64Kbps
Protocols	HTTP, HTTPS, IPv4/IPv6, 802.1x, QoS, FTP, SMTP, UPnP, SNMP,DNS, DDNS, NTP, RTSP, RTCP, RTP, TCP/IP, UDP, IGMP, ICMP,DHCP, PPPoE
User / Host	Up to 16 users, 3 levels: Administrator, Advanced User and Normal User
Security measures	User authentication (ID and PW), Host authentication (MAC address); HTTPS encryption, IEEE802.1x port-based network access control; IP address filtering
SMART FEATURES	
Basic Event	Motion detection, video tampering alarm, exception (network disconnected, IP address conflict, SD full, SD error)
Face Recognition	Default do not support human face detection capture, face comparison(customized per request)
Road Traffic	Vehicle detecting and tracking, etc.
Smart Detection	Tripwire, Bi-directional tripwire, Illegal intrusion detection, Region entrance detection, Region exiting detection, etc.
Smart Tracking	Smart tracking of human or vehicle, auto/manual
Active Deterrence	Flash strong white light and predefined voice upon invaders detected. Support 10+ different predefined voice clips
Two-way Talk	Support two-way talk

## SPECIFICATIONS

SYSTEM INTEGRATION	
Ext. Audio Interface	1-ch audio input(mic in),2.0-2.4Vp-p,1kΩ±10%;1-ch audio output(line out), line level, impedance:600 Ω;
Built-in Speaker	Yes, One Speaker, 4Ω, 2.5Watt. Rotation with camera, up to 30m distance audible
Built-in MIC	1channel, rotation with camera lens direction, up to 8m distance voice recordable.
Audio Device Switch	Default use built-in speaker and MIC, manually switch to external
Alarm Interface	1CH alarm input(Dry contact); 1CH alarm output
Alarm Linkage	Alarm actions, such as Preset, Cruise, Trace, Memory Card Video Record, Trigger Recording, Notify Surveillance Center, Upload to FTP/Memory Card, Send Email, etc.
Network Interface	1 RJ45 10M/100M Adaptive Ethernet (Support PoE+ )
Storage Slot	Micro SD/SDHC/SDXC Slot (up to 256GB) with video and still image capture function
Serial Interface	N/A
Auxiliary Video Out	N/A
Reset Button	Yes
Heat and Fan	Built-in temperature sensor, auto shut down at over-temperature; auto heat at cold start. No built-in fan.
Water Removal	Dust and Water-resistant coating
API	ONVIF, support TVT SDK and third-party management platform
Client	TVT N9000 1.4.5, TVT NVMS 2.0; and the third-party client, free iOS and Android APP
Web Browser	IE8-11, plug-in free
App Version	5.1.1 and later
GENERAL	
Languages	Czech; English, German; Hungarian; Italian; Japanese; Korean; Portuguese, Polish; Russian, Romanian, Spanish; Spanish (Mexico); Simplified Chinese; Turkish; Traditional Chinese. etc.
Power	DC12V±20%, 2000mA,orPoE+ (802.3.at,class 3), AVG 3.3W, MAX14.9W at day;18.9W at night(LED on+ Speaker on + PTZ working)
Working Condition	-40°C ~ 65°C (-40°F ~ 149°F) IR off, -40°C ~ 55°C IR on; Cold start≥- 25°C(1Hour waiting), ≤90%RH
Storage Condition	-40°C ~ 70°C ; ≤ 95% RH
Protection	6000V Lightning Protection, Surge Protection and Voltage Transient Protection
Shield Material	Main body: Aluminum Alloy(ADC12),Decoration: Polymer(Glass fiber and Plastic)
Dimensions	5.1in x 6.4in (130mm x 162mm)
Net Weight	Approx. 2.645lb. (1.2Kg)
Certification	IP66, IK10 (include lens window), ROHS, CE, FC,UKCA
DORI (EN62676-4 STANDARD)	
	Detect (25PPM/ 8PPF)
	Observe (63PPM/ 19PPF)
	Recognize (125PPM/ 38PPF)
	Identify (250PPM/ 76PPF)