



AVC-NSZ51X33LW **AI**

NDA
COMPLIANT | CE | FC

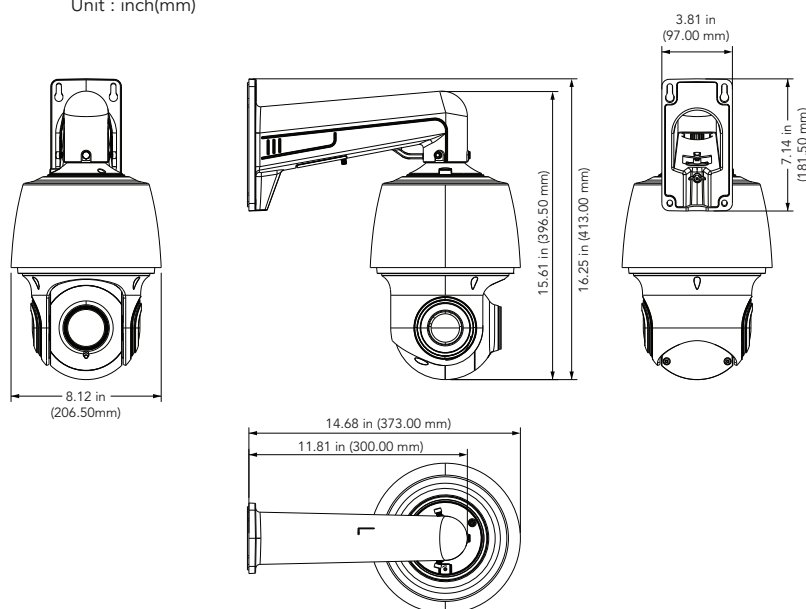
5MP H.265 FULL-SIZE PTZ DOME NETWORK CAMERA

OVERVIEW

- 5MP (2592 X 1944)H.265+/H.264+/MJPEG
- Max. resolution: 2592 X 1944 @30fps
- 4.3 ~ 142mm Motorized Lens (Max F1.6)
- 3D DNR, WDR, HLC, BLC, ROI encoding
- Intelligent Analytics
- Auto Tracking
- Audio : 1 input / 1 output
- Alarm : 1 input / 1 output
- Built-in micro SD card slot with video and still image capture function (up to 256GB)
- IP66 ingress protection
- DC 12V/POE+, max. 25.6W
- Support remote monitoring by AVYCON ONE (Mobile APP) and AVYCON CMSONE (CMS)

DIMENSIONS

Unit : inch(mm)



OPTIONAL ACCESSORIES



AVM-PT-WMT-PM-L1
(included)
WALL MOUNT



AVM-PT-CMT-PM-L1
CEILING MOUNT



AVM-CRM-A1
CORNER MOUNT
BRACKET



AVM-P-POM-A2
POLE MOUNT
BRACKET

SPECIFICATIONS

CAMERA				
Image Sensor	1/2.7" Progressive Scan CMOS			
Image Size	2592x1944			
Shutter Speed	1/5s to 1/20000s			
Min. Illumination	Color: 0.003 Lux @ (F1.6, AGC ON), B/W:0 Lux with IR			
IR Distance	Up to 492ft(150m)			
Lens	4.3mm to 142mm @ F No. 1.6 H: 55(W) - 2.3(T)° V: 41.6(W) - 1.7(T)° D : 67.9(W) - 2.8(T)°			
Lens Mount	Motorized(Ø14)			
Day & Night	IR cut filter with auto switch (Day/Night/Auto/Image/Schedule)			
Wide Dynamic Range	120dB			
Digital NR	3D DNR			
Backlight Compensation (BLC)	Off/On (5 Zone)			
Highlight Compensation (HLC)	Yes			
Defog	Yes			
Gain Control	Auto			
White Balance	Auto/Manual			
Flip/Mirror	Yes			
PTZ				
Pan Range	360°			
Pan Speed	Configurable from 0.6° to 200°/s; preset speed: 200°/s			
Tilt Range	-10° to 90° (auto flip)			
Tilt Speed	Configurable from 0.6° to 90°/s, preset speed 100°/s			
Optical Zoom	33x			
Proportional Zoom	Yes			
Preset	255			
Patrol Scan	1			
Pattern Scan	4			
Power-Off Memory	Yes			
3D Positioning	Yes			
Auto Tracking	Yes			
VIDEO IMAGE				
Video Compression	H.265+/H.265/H.264+/H.264/MJPEG			
Resolution	5MP(2592x1944) 4MP(2592x1520), 3MP(2048x1536 / 2304x1296), 1080P(1920x1080), 720P(1280x720), VGA(640x480), QVGA(320x240) @ 50/60 Hz			
Main Stream	60Hz: 5MP(2592x1944) @ 20FPS / 4MP(2560x1440), 3MP(2048x1536 / 2304x1296), 1080P(1920x1080), 720P(1280x720) @ 30 FPS 50Hz: 5MP(2592x1944) @ 20FPS / 4MP(2560x1440), 3MP(2048x1536 / 2304x1296), 1080P(1920x1080), 720P(1280x720) @ 25 FPS			
Sub Stream	60Hz: 720P(1280x720), VGA(640x480), QVGA(320x240) @ 30FPS, 50Hz: 720P(1280x720), VGA(640x480), QVGA(320x240) @ 25FPS			
Third Stream	60Hz: QVGA (340x480, 320x240) @ 30FPS, 50Hz: QVGA (340x480, 320x240) @ 25FPS			
Video Bit Rate	8Kbps ~ 8192kbps			
Image Settings	Day & Night, BLC, WDR, DNR, Privacy Masking, White Balance			
ROI	N/A			
NETWORK / INTERFACE				
Network	RJ45(10/100BASE-T)			
Network Protocol	TCP/IP,HTTP,DHCP,DNS,DDNS,RTP/RTSP, SMTP,NTP,UPnP,SNMP,HTTPS,FTP			
Interface Protocol	ONVIF(Profile S/G/T)			
Web Browser	Microsoft Edge, Safari, Firefox, Google Chrome			
Online Connection	Support simultaneous monitoring for up to 3 users; Support multi-stream real time transmission			
Security	IP Address Filter; Complicated Password; Authenticated Username and Password			
Streaming Method	Unicast / Multicast			
Storage	Micro SD/SDHC/SDXC Slot (up to 256GB) with video and still image capture function			
Video Output	1 x BNC Output			
Audio	1 input, 1 output			
Alarm	1 input, 1 output			
Hardware Reset	N/A			
DORI DISTANCE				
Lens	Detect	Observe	Recognize	Identify
4.3 ~ 142 mm (W)	354.3ft (108m)	140.7ft (42.9m)	70.9ft (21.6m)	35.4ft (10.8m)
4.3 ~ 142 mm (T)	8373.7ft (2582.8m)	3362.5ft (1024.9m)	1694.8ft (516.6m)	847.4ft (258.3m)
FUNCTIONS				
Remote Monitoring	Avycon CMSONE, Avycon Moblie One			
Smart Alarm	Motion detection			
Smart Analytics	Face Recognition (FR) Human&Vehicle Detection (PD&VD) Perimeter Intrusion Detection (PID) Line Crossing Detection (LCD) Cross Counting (CC) Stationary Object Detection (SOD) Heat Map (HM) Crowd Density Detection (CD) Queue Length Detection (QD) license Plate Detection (LPD) Rare Sound Detection (RSD)			
GENERAL				
Power Supply	DC 12V/POE+, max. 25.6W			
Power Consumption	N/A			
Operating Environment	-22 °F to 149 °F (-30 °C to 60 °C) Humidity 90% or less (non-condensing)			
Dimensions (in)	8.12 x 16.25in (206.50 X 413.00mm)			
Weight (lb)	8.15lb			
Ingress Protection	IP66			