



# AVC-NPE81F2D AI

NDA  
COMPLIANT | CE | FC

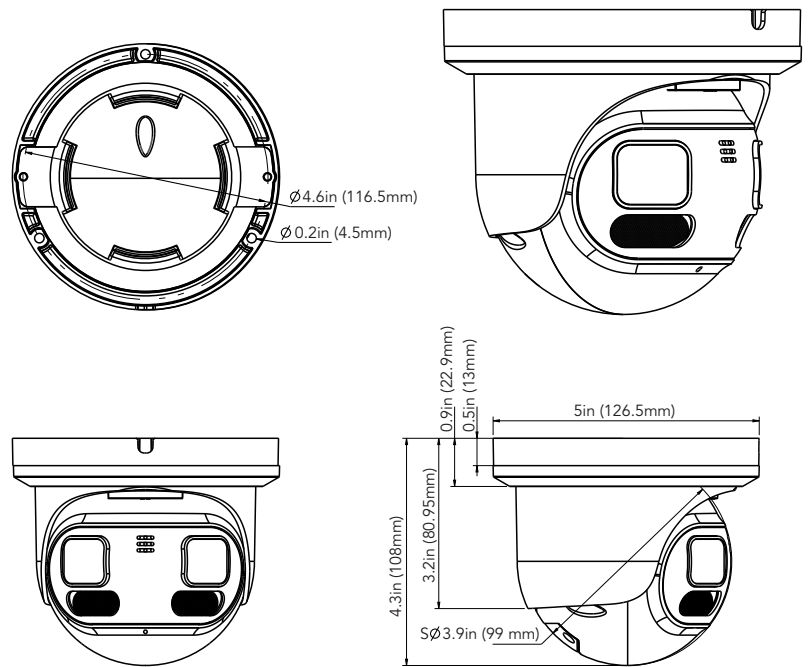
5MP H.265 DUAL LENS PANORAMIC TURRET NETWORK CAMERA

## DIMENSIONS

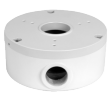
Unit : inch(mm)

### OVERVIEW

- 8MP (5120×1440) H.265+, H.265, H.264+, H.264, MJPEG
- Max. resolution: 5120×1440
- Dual Lens Stitched Panoramic View (2 x 2.8mm Fixed Lens)
- Full Color / Active Deterrence Camera
- 3D DNR, WDR, HLC, BLC, ROI encoding
- Intelligent Analytics
- White Light LED / Strobe (Blue & Red) Light
- Built-in MIC / Speaker
- Built-in micro SD card slot, up to 256GB
- IP67 ingress protection
- DC12V/PoE power supply
- Support remote monitoring by AVYCON ONE (Mobile APP) and AVYCON CMSONE (CMS)



### OPTIONAL ACCESSORIES



AVM-JB-BE-L1  
JUNCTION BOX



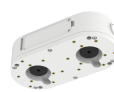
AVM-CWM-EDV-L1  
COMPACT  
WALL MOUNT



AVM-HWM-E-L1  
WALL MOUNT  
WITH JUNCTION BOX



AVM-HCM-E-L1  
CEILING MOUNT  
WITH JUNCTION BOX



AVM-JB-DUAL-UL1  
DUAL JUNCTION BOX



AVM-POM-A1  
POLE  
MOUNT BRACKET



AVM-CRM-A1  
CORNER  
MOUNT BRACKET

## SPECIFICATIONS

VIDEO		
Image Sensor	1/2.7" Progressive Scan CMOS *2	
Max. Resolution	5120*1440	
Min. Illumination	Color: 0.001 Lux @ (F1.6, AGC ON), B/W: 0 Lux with IR	
Shutter Speed	1/5 s to 1/20000 s	
Slow Shutter	Yes	
Day & Night	IR cut filter	
Zoom	N/A	
LENS		
Focal Length	2.8 mm Fixed	
FOV	Horizontal field of view: 180°	
Aperture	F1.0	
ILLUMINATOR		
Supplement Light Range	Supplement Light Range	IR Distance: Up to 98ft /Warm light: up to 49ft
Supplement Light Type	Supplement Light Type	
VIDEO		
*Main Stream	60/50Hz@15fps; 5120x1440; 4608x1296; 4096x1152; 3840x1080; 3072x864	
Sub-Stream	60/50Hz@15fps; 2048x576; 1536x432; 1024x288	
Video Compression	Main stream: H.265+/H.265/H.264+/H.264 Sub-stream: H.265+/H.265/H.264+/H.264/MJPEG	
Video Bit Rate	8 kbps to 16384kbps	
H.264 Type	Baseline Profile/Main Profile/High Profile	
H.265 Type	Main Profile	
Region Of Interest (ROI)	N/A	
Audio	N/A	
Audio Compression	G.711a/G.711u	
NETWORK		
Protocols	IPv4/IPv6, HTTP, HTTPS, FTP, SMTP, UPnP, SNMP, DNS, DDNS, NTP, RTSP, RTP, TCP/IP, UDP, DHCP, PPPoE,	
API	Onvif ( Profile S, Profile G, Profile T),Http API	
Simultaneous	Live View Up to 15 channels	
User/Host	7 User	
Security	Password protection, complicated password, HTTPS encryption, IP address filter,control timeout settings	
Client	VMS	
Web Browser	IE11, Chrome 57+, Firefox 52+, Safari 11+	
IMAGE		
Day/Night Switch	Day, Night, Auto, Schedule	
Image Enhancement	BLC, HLC, 3D DNR	
Wide Dynamic Range (WDR)	DWDR	
Image Settings	Saturation, brightness, contrast, sharpness, Hue and white balance adjustable by client software or web browser	
Privacy	4 privacy masks	
INTERFACE		
Ethernet Interface	1 RJ45 10M/100M self-adaptive Ethernet port	
On-Board Storage	Micro SD/SDHC/SDXC Slot (up to 256GB) with video and still image capture function	
Alarm	Built-in red & blue flashing lights	
Audio	1 Built-in MIC, Built-in Speaker	
Reset Button	Supported	
EVENT		
Basic Event	Motion detection	
Deep Learning Function	Face Recogniton, Pedestrian&Vehicle Detection, Line Crossing, Object Detection, CrossCounting, Heat Map, Crowd Density , Queue Length, License Plate Recognition, Intrusion,Region Entrance, Region Exiting	
GENERAL		
Power	DC 12V/POE, max. TBD	
Protection	IP67	
Operating Condition	-22 °F to 149 °F(-30 °C to 60 °C ). Humidity 90% or less (non-condensing)	
Material	Metal	
Dimension	Ø 4.3" × 5"(Ø 108 mm × 127 mm )	

\*Highest main stream resolution (5120x1440) is not supported on the following PoE NVR models: AVR-NSV04P4, AVR-NSV08P8, AVR-NSV16P16  
Please contact our sales department for the most updated compatible model NVR's that supports highest main stream resolution (5120x1440).