



AVC-NPE51F36 **AI**

NDA
COMPLIANT | CE | FC

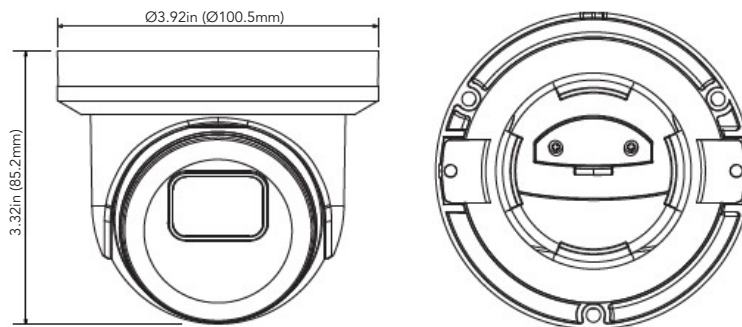
5MP H.265 FIXED EYEBALL NETWORK CAMERA

OVERVIEW

- 5MP (2880x1620) @ 30fps
- Max. Resolution: 2880x1620
- H.265+/H.265, H.264+/H.264 Encoding
- True Day & Night ICR
- Up to 98 ft. IR Illumination
- Fixed 3.6mm Lens
- 3D DNR, True WDR, HLC, BLC and ROI Encoding
- Supports Triple Streams
- Built-in MIC
- Built-in micro SD card slot with video and still image capture function (up to 256GB)
- IP67 Ingress Protection
- DC12V/PoE (802.3af, ≤6W)
- Support remote monitoring by AVYCON ONE (Mobile APP) and AVYCON CMSONE (CMS)

DIMENSIONS

Unit : inch(mm)



OPTIONAL ACCESSORIES



AVM-JB-BE-S2
JUNCTION BOX



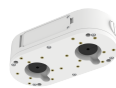
AVM-CWM-EV-S2
COMPACT
WALL MOUNT



AVM-HWM-E-S2
WALL MOUNT
WITH JUNCTION BOX



AVM-HCM-E-S1
CEILING MOUNT
WITH JUNCTION BOX



AVM-JB-DUAL-US1
DUAL JUNCTION BOX



AVM-POM-A1
POLE
MOUNT BRACKET



AVM-CRM-A1
CORNER
MOUNT BRACKET

SPECIFICATIONS

CAMERA	
Image Sensor	1/2.7" Progressive Scan CMOS
Resolution	5MP
Image Size	2880x1620
Min. Illumination	Color: 0.05 lux @ F1.2 (AGC ON) BW: 0 lux w IR ON
Shutter Speed	1/20,000s ~ 1/5s
Slow Shutter	Supported
IR Distance	Up to 98ft. (30m)
Lens	Fixed 3.6mm
Field of View	87.4°
WDR	120dB
VIDEO STREAM	
Max. Image Resolution	2880x1620 @ 30fps
Main Stream	2880x1620, 2560x1440, 2304x1296, 1920x1080, 1280x720
Sub Stream	720P (1280x720), VGA (640x480), QVGA (320x240)
Mobile Stream	VGA (640x480), QVGA (320x240)
Video Compression	H.265+/H.265, H.264+/H.264
Video Bit Rate	128 Kbps~8 Mbps (CBR / VBR Adjustable)
Max. Framerate	50Hz: 25fps @ 5MP/4MP/3MP/2MP/960P/720P/VGA/QVGA 60Hz: 30fps @ 5MP/4MP/3MP/2MP/960P/720P/VGA/QVGA
NETWORK	
Ethernet	1 x RJ45 10M/100M (Base-T)
ONVIF	ONVIF (Profile S/G/T, 20.06)
Protocol	HTTP, HTTPS, FTP, SMTP, UPnP, SNMP, DNS, DDNS, NTP, RTSP, RTP, TCP/IP, PPPoE, DHCP
Security	IP Address Filter; Complicated Password; Authenticated Username and Password
IMAGE	
Day & Night	IR cut filter with auto switch (Day/Night/Auto/Schedule)
True WDR	Yes
Digital NR	Yes (3D DNR)
Backlight Compensation (BLC)	Off/On (5 Zone)
Motion Detection	Off/On (8 Level)
Gain Control	Auto
White Balance	Auto / Manual / Indoor
Privacy Mask	Off/On (4 Zone, Rectangle)
Flip / Mirror	Flip / Corridor / Rotation
Sharpness	Yes
Image Setting	Yes
Language	Support for English and Korean
VIDEO ANALYTICS	
On-Board Storage	Micro SD/SDHC/SDXC Slot (up to 256GB) with video and still image capture function
Alarm/Audio	No / Built-in Microphone
Hardware Reset	Yes
Smart Feature	Face Detection (FD), Pedestrian & Vehicle Detection (PD&VD), Intrusion Detection (ID), Line Crossing Detection (TD), Tripwire Counting (TC), Stationary Object Detection (OBJ), Heat Map (HM), Crowd Density Detection (CD), Queue Length Detection (QD), License Plate Detection (LPR), Rare Sound Detection (RSD)
Smart Events	Motion, Sound Detection
Alarm Link Events	Motion Detection
GENERAL	
Angle Adjustment	Manual Adjustment
Input Voltage	DC 12V/PoE (802.3af)
Power Consumption	≤6W
Ingress Protection	IP67
Working Temperature	-22°~131°F (-30°~55°C)
Dimensions	3.92x3.32in (100.5x85.2mm)