



AVC-NLE21M

NDAA COMPLIANT | CE | FC

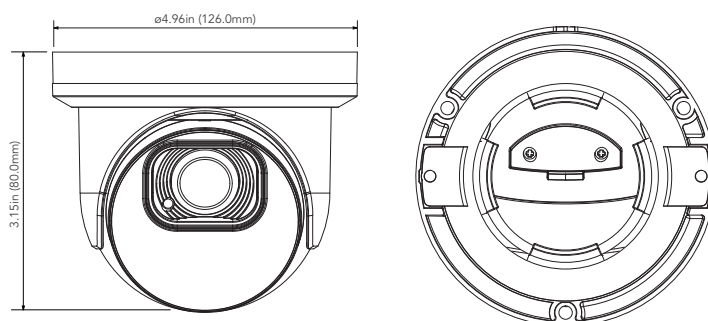
2MP H.265 MOTORIZED EYEBALL NETWORK CAMERA

OVERVIEW

- 2MP (1920x1080) @ 30fps
- Max. resolution: 1920x1080
- Supports Smart H.265/H.264 Encoding
- Day & Night AUTO ICR
- Motorized 2.7~13.5mm Lens (F1.8(Wide) ~ 3.3(Tele))
- 3D DNR, D-WDR, HLC, BLC, ROI encoding
- Built-in micro SD card slot with video and still image capture function (up to 256GB)
- IP67 ingress protection
- DC12V/PoE power supply
- Support remote monitoring by AVYCON ONE (Mobile APP) and AVYCON CMSONE (CMS)

DIMENSIONS

Unit : inch(mm)



OPTIONAL ACCESSORIES



AVM-JB-BE-L1
JUNCTION BOX



AVM-JB-DUAL-UL1
DUAL JUNCTION BOX



AVM-CWM-EDV-L1
COMPACT
WALL MOUNT



AVM-HWM-E-L1
WALL MOUNT
WITH JUNCTION BOX



AVM-HCM-E-L1
CEILING MOUNT
WITH JUNCTION BOX



AVM-CRM-A1
CORNER
MOUNT BRACKET



AVM-POM-A1
POLE
MOUNT BRACKET



AVA-MICSPKSRN
AUDIBLE AND VISUAL
ALARM DEVICE

SPECIFICATIONS

| VIDEO | |
|-----------------------------------|---|
| Imaging Device | 1/2.7" Progressive CMOS |
| Resolution | Main Stream: 1920x1080 Sub Stream: 640x480 |
| Max. Framerate | Main Stream: Max. 30fps/25fps (60Hz/50Hz) Sub Stream: Max. 20fps (60Hz/50Hz) |
| Min. Illumination | Color: 0.006 lux @ F1.6 (AGC on) B/W: 0 lux (IR LED on) |
| Compression | Video: H.265/H.264 Main Profile Audio: G.711a / G.711u |
| Bitrate Control | CBR or VBR (256Kbps ~ 4Mbps) |
| LENS | |
| Focal Length (Zoom Ratio) | 2.7~13.5mm Motorized |
| Max. Aperture Ratio | F1.8 (Wide)~3.3 (Tele) |
| Angular Field of View | Horizontal: 107°(W)~35°(T), Vertical: 54°(W)~20°(T), Diagonal: 133°(W)~40°(T) |
| Min. Object Distance | 3.93ft (1.2M) |
| Focus Control | Simple Focus |
| Lens Type | Motorized (Ø14) |
| PAN / TILT / ROTATE | |
| Pan / Tilt / Rotate Adjustment | Manual Adjustment |
| OPERATIONAL | |
| Camera Title | Title Displayed up to 32 characters |
| Day & Night | AUTO (ICR) |
| Exposure Compensation | BLC, HLC, D-WDR |
| Digital Noise Reduction | 3D DNR |
| Digital Image Stabilization | N/A |
| Motion Detection | Rectangle Grid (8 Levels of Sensitivity) |
| Privacy Masking | 4 Rectangle Zones |
| Gain Control | AUTO |
| White Balance | AUTO / MANUAL |
| LDC | N/A |
| Electronic Shutter Speed | AUTO / Manual (1/5 ~ 1/20000s) |
| Video Rotation | Flip / Mirror |
| Analytics | N/A |
| Alarm I/O | 1 Input / 1 Output |
| Alarm Triggers | Motion, Alarm, Sound Detection |
| Alarm Events | Notification via E-mail, Image file upload via FTP, Image file upload to Cloud (Dropbox), Micro SD recording at event triggered |
| Audio In | 1 Line-In (RCA) |
| Audio Out | 1 Line-Out (RCA) |
| IR Viewable Length | 147ft (45M) |
| NETWORK | |
| Ethernet | RJ45 (10/100BASE-T) |
| Streaming | Unicast / Multicast |
| Protocol | TCP/IP, HTTP, DHCP, DNS, DDNS, RTP/RTSP, SMTP, NTP, UPnP, SNMP, HTTPS, FTP |
| Security | Login Authentication, IP Address Filtering, User access log |
| Application Programming Interface | ONVIF Profile S/G/T, REST API |
| GENERAL | |
| Webpage Language | English, Korean |
| Edge Storage | Micro SD/SDHC/SDXC Slot (up to 256GB) with video and still image capture function |
| Memory | N/A |
| ENVIRONMENTAL & ELECTRICAL | |
| Operating Temperature / Humidity | -31°~140°F (-35°~+60°C) / less than ≤ 95% RH |
| Storage Temperature / Humidity | |
| Certification | IP67 |
| Input Voltage | PoE (IEEE802.3at) / 12VDC |
| Power Consumption | Max. 3.5W (IR LED off) Max. 8.5W (IR LED on) |
| MECHANICAL | |
| Color / Material | White / Metal |
| Product Dimensions / Weight | Ø4.96x3.15in (126x80mm) / 1.83lbs (831g) |
| DORI (EN62676-4 STANDARD) | |
| Detect (25PPM / 8PPF) | |
| Observe (63PPM / 19PPF) | |
| Recognize (125PPM / 38PPF) | |
| Identify (250PPM / 76PPF) | |