



AVC-NKB81F28 **AI**

NDAA COMPLIANT |  TAA COMPLIANT | CE | FC

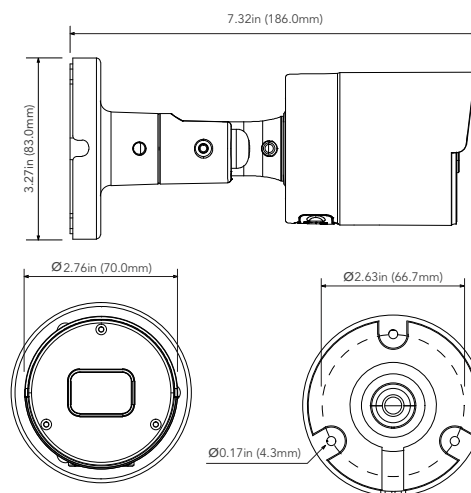
8MP H.265 FIXED LENS BULLET NETWORK CAMERA

OVERVIEW

- 8MP (3840x2160) @ 30fps
- Max. resolution: 3840x2160
- H.265+/H.265, H.264+/H.264, MJPEG Encoding
- Day & Night AUTO ICR
- Fixed 2.8mm Lens (F1.6)
- 3D DNR, WDR, HLC, BLC, ROI encoding
- Intelligent Analytics
- Built-in micro SD card slot with video and still image capture function (up to 256GB)
- Built-in MIC
- IP67 ingress protection
- DC12V/PoE power supply
- Support remote monitoring by AVYCON ONE (Mobile APP) and AVYCON CMSONE (CMS)

DIMENSIONS

Unit : inch(mm)



OPTIONAL ACCESSORIES



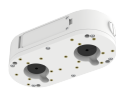
AVM-JB-BE-S2
JUNCTION BOX



AVM-HWM-E-S2
WALL MOUNT
WITH JUNCTION BOX



AVM-HCM-E-S1
CEILING MOUNT
WITH JUNCTION BOX



AVM-JB-DUAL-US1
DUAL JUNCTION BOX



AVM-POM-A1
POLE
MOUNT BRACKET



AVM-CRM-A1
CORNER
MOUNT BRACKET

SPECIFICATIONS

| VIDEO | |
|-----------------------------------|---|
| Imaging Device | 1/2.8" Progressive CMOS |
| Resolution | Main Stream: 3840x2160, 3072x1728, 2592x1944, 2592x1520, 2304x1296, 1920x1080, 1280x960, 1280x720 Sub Stream: 1920x1080, 1280x720, 640x480 Mobile Stream: 640x480, 320x240 |
| Max. Framerate | Main Stream: Max. 30fps/25fps (60Hz/50Hz) Sub Stream: Max. 30fps/25fps (60Hz/50Hz) Mobile Stream: Max. 30fps/25fps (60Hz/50Hz) |
| Min. Illumination | Color: 0.009 lux @ F1.6 (AGC on) B/W: 0 lux (IR LED on) |
| Compression | Video: H.265+/H.265 Main Profile, H.264+/H.264 High Profile, MJPEG (Sub Stream Only) Audio: G.711a / G.711u |
| Bitrate Control | CBR or VBR (256Kbps ~ 8Mbps) |
| LENS | |
| Focal Length (Zoom Ratio) | 2.8mm Fixed |
| Max. Aperture Ratio | F1.6 |
| Angular Field of View | Horizontal: 105°, Vertical: 56°, Diagonal: 126° |
| Min. Object Distance | 5.9ft (1.8M) |
| Focus Control | N/A |
| Lens Type | Fixed (M12) |
| PAN / TILT / ROTATE | |
| Pan / Tilt / Rotate Adjustment | Manual Adjustment |
| OPERATIONAL | |
| Camera Title | Title Displayed up to 32 characters |
| Day & Night | AUTO (ICR) |
| Exposure Compensation | BLC, HLC, WDR |
| Digital Noise Reduction | 3D DNR |
| Digital Image Stabilization | N/A |
| Motion Detection | Rectangle Grid (8 Levels of Sensitivity) |
| Privacy Masking | 4 Rectangle Zones |
| Gain Control | AUTO |
| White Balance | AUTO / MANUAL |
| LDC | N/A |
| Electronic Shutter Speed | AUTO / Manual (1/5 ~ 1/20000s) |
| Video Rotation | Flip / Mirror |
| Analytics | Face Detection (FD), Pedestrian & Vehicle Detection (PD&VD), Intrusion Detection (ID), Line Crossing Detection (TD), Tripwire Counting (TC), Stationary Object Detection (OBJ), Heat Map (HM), Crowd Density Detection (CD), Queue Length Detection (QD), License Plate Detection (LPR), Rare Sound Detection (RSD) |
| Alarm I/O | N/A |
| Alarm Triggers | Motion, Sound Detection |
| Alarm Events | Notification via E-mail, Image file upload via FTP, Video file upload via FTP, Image file upload to Cloud (Dropbox), Video file upload to Cloud (Dropbox), Micro SD recording at event triggered, Event Push via HTTP / UDP |
| Audio In | Built-in MIC |
| Audio Out | N/A |
| IR Viewable Length | 98ft (30M) |
| NETWORK | |
| Ethernet | RJ45 (10/100BASE-T) |
| Streaming | Unicast / Multicast |
| Protocol | TCP/IP, HTTP, DHCP, DNS, DDNS, RTP/RTSP, SMTP, NTP, UPnP, SNMP, HTTPS, FTP |
| Security | Login Authentication, IP Address Filtering, User access log |
| Application Programming Interface | ONVIF Profile S/G/T, REST API |
| GENERAL | |
| Webpage Language | English, Korean |
| Edge Storage | Micro SD/SDHC/SDXC Slot (up to 256GB) with video and still image capture function |
| Memory | N/A |
| ENVIRONMENTAL & ELECTRICAL | |
| Operating Temperature / Humidity | -31°~140°F (-35°~+60°C) / less than ≤ 95% RH |
| Storage Temperature / Humidity | |
| Certification | IP67 |
| Input Voltage | PoE (IEEE802.3at) / 12VDC |
| Power Consumption | Max. 4W (IR LED off), Max. 6.5W (IR LED on) |
| MECHANICAL | |
| Color / Material | White / Metal |
| Product Dimensions / Weight | Ø7.32x2.76in (Ø186x70mm) / 0.88lbs (400g) |
| DORI (EN62676-4-STANDARD) | |
| Detect (25PPM / 8PPF) | |
| Observe (63PPM / 19PPF) | |
| Recognize (125PPM / 38PPF) | |
| Identify (250PPM / 76PPF) | |