



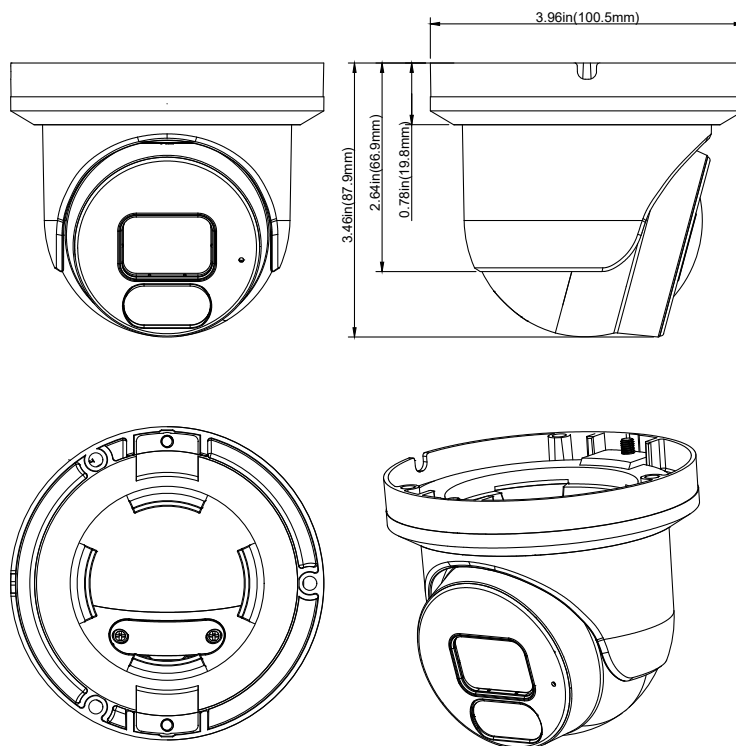
AVC-NBE41F28 AI

NDA
COMPLIANT | CE | FC

4M Dual Light Turret Network Camera

DIMENSIONS

Unit : inch(mm)



OVERVIEW

- 4MP (2560x1440) @25fps H.265/ H.254
- Full Color / IR Mode
- 2.8mm Fixed Lens (F1.6)
- 3D DNR, D-WDR
- Dual Light: White Light LED / Infra Red LED
- Built-in MIC
- Built-in micro SD card slot with video and still image capture function (up to 256GB)
- AI Feature : Intrusion, Tripwire, Loitering Detection, Region Entrance / Exiting
- IP67 ingress protection
- PoE / DC12V Power supply
- Support remote monitoring by AVYCON ONE (Mobile APP) and AVYCON CMSONE (CMS)

OPTIONAL ACCESSORIES



AVM-JB-BE-S2
JUNCTION BOX



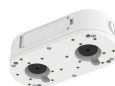
AVM-CWM-EV-S2
COMPACT
WALL MOUNT



AVM-HWM-E-S2
WALL MOUNT
WITH JUNCTION BOX



AVM-HCM-E-S2
CEILING MOUNT
WITH JUNCTION BOX



AVM-JB-DUAL-US1
DUAL JUNCTION BOX



AVM-POM-A1
POLE
MOUNT BRACKET



AVM-CRM-A1
CORNER
MOUNT BRACKET

SPECIFICATIONS

VIDEO	
Imaging Device	1/3"
Effective Pixels	4MP 2560(H)×1440 (V)
Scanning System	Progressive CMOS
Min. Illumination	Color 0.004lux @ F1.6(AGC ON) ; B/W 0 lux @ IR ON
LENS TYPE	
Focal Length (Zoom Ratio)	2.8 mm
Max. Aperture Ratio	F No. 1.6
Angular Field of View	Horizontal:96° , Vertical:52° , Diagonal: 113°
Min. Object Distance	5.9ft(1.8m)
Lens Type	Fixed(M12)
OPERATIONAL	
IR LED	1
WarmLight	2
IR Viewable Length	Up to 82ft(25m)
WarmLight Viewable Length	Up to 65ft(20m)
Type of complementary light	Default warm light, switchable infrared light
Motion Detection	Off/On (8 Level)
Wide Dynamic Range	DWDR
Digital Noise Reduction	3D DNR
Image Setting	Full Color Mode/Day&Night Mode/Smart Illumination
White Balance	Auto/Manual
Electronic Shutter Speed	1/5 ~ 1/20000s
On-Board Storage	Micro SD/SDHC/SDXC Slot (up to 256GB) with video and still image capture function
Alarm	NA
Audio	Built-in microphone
Hardware Reset	Yes
Smart Feature	SMD (Pedestrian&Vehicle) /Intrusion/Tripwire Detection/Loitering Detection/Region Entrance/Region Exiting
NETWORK	
Ethernet	RJ45(10/100BASE-T)
Video Compression Format	H.265/H.264
Resolution	Main Stream@25fps : 4MP(2560x1440) Sub Stream@25fps : VGA(640x480)
Video Quality Ajustment	512Kbps ~ 4Mbps
Bitrate control method	CBR/VBR
IP	IPv4
Protocol	TCP/IP,HTTP,DHCP,DNS,DDNS,RTP/RTSP,SMTP,NTP,HTTPS
Security	complicated password;Authenticated username and password
Application Programming Interface	ONVIF
Web Viewer	IE10/11
ENVIRONMENTAL	
Operating Conditions	-31~140F(-35 ~ +60°C)/less than ≤ 90% RH
Ingress Protection	IP67
ELECTRICAL	
Input Voltage / Current	D12V/POE(IEEE802.3af)
Power Consumption	DC12V : max 5.5W ; POE (48V): max 6.9W
MECHANICAL	
Material	Metal