



AVC-NAB81F28 AI

NDA
COMPLIANT | CE | FC

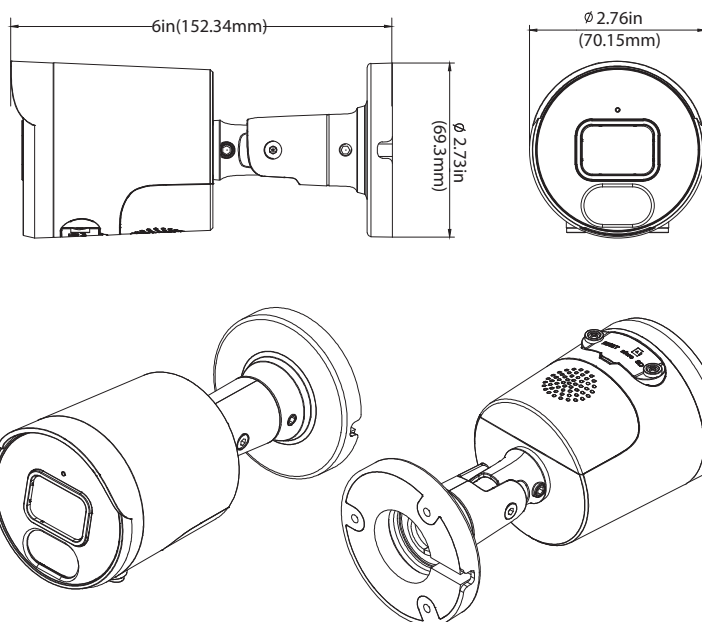
8M Smart Defender Bullet Network Camera

DIMENSIONS

Unit : inch(mm)

OVERVIEW

- 8MP (3840x2160) @15fps H.265/ H.254
- Full Color Smart Defender Camera
- 2.8mm Fixed Lens (F1.0)
- 3D DNR, D-WDR
- White Light LED / Strobe (Blue & Red) Light
- Built-in MIC / Speaker
- Built-in micro SD card slot with video and still image capture function (up to 256GB)
- AI Feature : Intrusion, Tripwire, Loitering Detection, Region Entrance / Exiting
- IP67 ingress protection
- PoE / DC12V Power supply
- Support remote monitoring by AVYCON ONE (Mobile APP) and AVYCON CMSONE (CMS)



OPTIONAL ACCESSORIES



AVM-JB-B-AD1
JUNCTION BOX



AVM-CRM-A1
CORNER



AVM-POM-A1
POLE

SPECIFICATIONS

| VIDEO | |
|-----------------------------------|--|
| Imaging Device | 1/2.7" |
| Effective Pixels | 8MP 3840(H)*2160(V) |
| Scanning System | Progressive CMOS |
| Min. Illumination | Color 0.007lux @ F1.0(AGC ON) ; B/W 0 lux @ IR ON |
| LENS TYPE | |
| Focal Length (Zoom Ratio) | 2.8 mm |
| Max. Aperture Ratio | F No. 1.0 |
| Angular Field of View | Horizontal:110° , Vertical:58° , Diagonal: 133° |
| Min. Object Distance | 6.56ft(2m) |
| Lens Type | Fixed(M12) |
| OPERATIONAL | |
| IR LED | 1 |
| WarmLight | 2 |
| Red Blue Light | 2 (1 Red&1 Blue) |
| IR Viewable Length | Up to 82ft(25m) |
| WarmLight Viewable Length | Up to 65ft(20m) |
| Type of complementary light | Default warm light, switchable infrared light |
| Motion Detection | Off/On (8 Level) |
| Wide Dynamic Range | DWDR |
| Digital Noise Reduction | 3D DNR |
| Image Setting | Full Color Mode/Day&Night Mode/Smart Illumination |
| White Balance | Auto/Manual |
| Electronic Shutter Speed | 1/5 ~ 1/20000s |
| On-Board Storage | Micro SD/SDHC/SDXC Slot (up to 256GB) with video and still image capture function |
| Alarm | NA |
| Audio | Built-in microphone&Speaker |
| Hardware Reset | YES |
| Smart Feature | SMD (Pedestrian&Vehicle)/Intrusion/Tripwire Detection/Loitering Detection/Region Entrance/Region Exiting |
| NETWORK | |
| Ethernet | RJ45(10/100BASE-T) |
| Video Compression Format | H.265/H.264 |
| Resolution | Main Stream@15fps : 8MP (3840* 2160) Sub Stream@15fps : 1080P(1920x1080) |
| Video Quality Ajustment | 512Kbps ~ 6Mbps |
| Bitrate control method | CBR/VBR |
| IP | IPv4 |
| Protocol | TCP/IP,HTTP,DHCP,DNS,DDNS,RTP/RTSP,SMTP,NTP,HTTPS |
| Security | complicated password;Authenticated username and password |
| Application Programming Interface | ONVIF |
| Web Viewer | IE10,11 |
| ENVIRONMENTAL | |
| Operating Conditions | -31~140F(-35 ~ +60°C)/less than ≤ 90% RH |
| Ingress Protection | IP67 |
| ELECTRICAL | |
| Input Voltage / Current | D12V/POE(IEEE802.3af) |
| Power Consumption | DC12V : max 7.2W ; POE (48V): max 8.4W |
| MECHANICAL | |
| Material | Metal |
| Dimensions (HxWxD) | 6 x 2.76in(152.3*70.1mm) |
| Weight | 0.63lb(282g) |