

# AVC-BTDND08FT-DU

BODY TEMPERATURE DETECTION NETWORK CAMERA

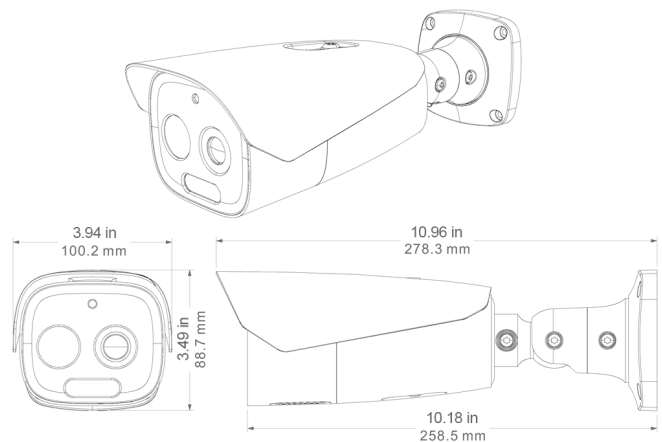


## OVERVIEW

- Thermal:
  - 384 x 288 uncooled detector
  - 17 $\mu$ m, NETD: <35mK @77°F (@25°C), F#=1.0
  - 12.3mm thermal imaging lens
  - Temperature accuracy:  $\pm 0.54^\circ\text{F}$  ( $0.3^\circ\text{C}$ ) with black body
  - ACB, DPC, 3D DNR, DDE
  - Multi-palette: white, black, pseudo-color
  - Temperature exception alarm
- Visible Light:
  - 5MP (2592 x 1944) @ 30 fps
  - 1/2.7" BSI +NIR progressive CMOS image
  - Min. Illumination:
    - Color: 0.0125lux@F2.0; AGC On
    - B / W: 0.008lux@F2.0; AGC On
  - 8mm visible light lens
  - 3D DNR, true WDR (120dB), HLC, BLC
  - Built-in white light and loudspeaker

## DIMENSIONS

Unit : inch(mm)



## OPTIONAL ACCESSORIES



Tripod



AVB-BDF08-1B (Black Body)  
for Higher Accuracy ( $\pm 0.54^\circ\text{F}$  /  $\pm 0.3^\circ\text{C}$ )

## SPECIFICATIONS

THERMAL CAMERA	
Detector Type	17µm 384x288 Vanadium oxide uncooled
NETD	<35mK @77°F (@25°C), F#1.0
Field of View	Fixed Iris
Iris Type	12.3mm@F1.0
Lens	29.7° x 22.5° (H x V)
Min. Focusing Distance	1.34m
Temperature Measuring Distance	2-6m
Color Palettes	Black, White, Pseudo-color
VISIBLE LIGHT MODULE	
Image Sensor	1/2.7" CMOS
Image Size	2592 x 1944
Electronic Shutter	1/30 ~ 1/100000s
Iris Type	Fixed Iris
Min. Illumination	0.0125 lux@F2.0, AGC ON; 0 lux with IR, 0.0045 lux@F1.2, AGC ON: 0 lux with IR
Lens	8mm@F2.0
Field of View	38° x 27.5° (H x V)
Wide Dynamic Range	120dB
BLC	Yes
HLC	Yes
Defog	Yes
Digital NR	2D / 3D DNR
IMAGE	
Video Compression	Smart H.265 / H.265+ / H.265 / SmartH H.264 / H.264+ / H.264 / MJPEG
H.264 Compression Standard	Baseline Profile / Main Profile / High Profile
Resolution	Thermal: 384 x 288; Visible Light: 5MP (2592 x 1944), 4MP (2592 x 1520), 2K (2560 x 1440), 3MP (2304 x 1296), 1080P (1920 x 1080), 720P (1280 x 720), D1, CIF, 480 x 240
Main Stream	Thermal: 60Hz: 384 x 288 @ 30fps; 50Hz: 384 x 288 @ 25 fps Visible Light: 60Hz: 5MP / 4MP / 2K / 3MP / 1080P / 720P @ 30fps; 50Hz: 5MP / 4MP / 2K / 3MP / 1080P / 720P @ 25fps
Sub Stream	Thermal: 60Hz: 384 x 288 @ 30fps; 50Hz: 384 x 288 @ 25 fps Visible Light: 60Hz: 720P / D1 / CIF @ 30fps; 50Hz: 720P / D1 / CIF @ 25fps
Third Stream	60Hz: D1 / CIF / 480 x 240 @ 30fps; 50Hz: D1 / CIF / 480 x 240 @ 25fps
Image Settings	ROI, Saturation, Brightness, Chroma, Contrast, Wide Dynamic, sharpen, etc. adjustable through client software or web browser
Video & Data Overlay	The thermal image can be overlaid on visible light image. The temperature can be overlaid on visible light image.
Audio Compression	G.711A/U
ROI	8 regions; each ROI to be configured separately
INTERFACES	
Network	RJ45
Video Output	No
Audio	1CH audio input; 1CH built-in speaker
Storage	Built-in microSD card slot; up to 256GB
Reset	Yes
RS 485	Yes
Alarm	1CH alarm input; 1CH alarm output
FUNCTIONS	
Temperature	±0.9°F (±0.5°C) without black body
Measurement	±0.54°F (±0.3°C) with black body. A maximum of 30 people can be measured simultaneously.
Temperature Alarm	High temperature alarm, low temperature alarm, temperature exception alarm
Remote Monitoring	Web browsing, CMS remote control
Online Connection	Supports simultaneous monitoring for up to 10 users. Supports multi-stream real time transmission.
Network Protocol	IPv4, IPv6, UDP, DHCP, NTP, RTSP, PPPoE, DDNS, SMTP, FTP, SNMP, 802.1x, UPnP, HTTP, QoS
Interface Protocol	ONVIF
Storage	Network remote storage; micro SD card storage
Smart Alarm	Motion detection, SD card error, SD card full, IP address conflict, Cable Connection
Intelligent Analytics	Region intrusion / entrance / exiting / (human / vehicle classification), line crossing (human / vehicle classification), scene changing detection, missing / abandoned object detection, crowd density detection, line crossing people / vehicle counting, face detection, face capture
Sound & Light Warning	Yes
General Function	Watermark, IP address filtering, video mask, heartbeat, password protection, non-photosensitive switch, image distortion correction
PoE	Yes, IEEE802.3af, class0
IR Distance	20 ~ 30m
Ingress Protection	IP67
GENERAL	
Power Supply	DC12V / POE
Power Consumption	<9W
Operating Temperature	68°F ~ 122°F (20°C ~ 50°C), Humidity less than 90% (non-condensing), Temperature Screening Mode: 50°F ~ 95°F (10°C ~ 35°C), no wind
Certifications	CE, FCC, RoHS2.0, REACH, WEEE
Dimensions	10.96" x 3.94" x 3.49" (278.3mm x 100.1mm x 88.7mm)
Net Weight	2.4lbs (1.1kg)
Installation	Ceiling Mounting; Wall Mounting