



AVA-E501N-AI AI

NDA
COMPLIANT | CE | FC

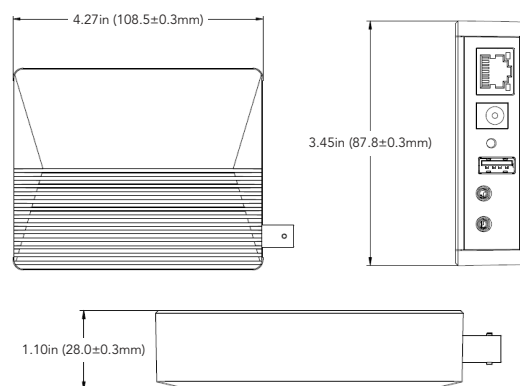
5MP H.265 HD VIDEO SERVER

OVERVIEW

- 5MP (2592x1944)H.265+/H.264+/MJPEG
- Max. resolution:5MP (2592×1944) @20fps
- H.265+/H.265/H.264+/H.264/MJPEG coding
- Support ROI coding
- Support UTC (Up-The-Coax) control
- 8CH alarm input, 4CH alarm output
- 1CH audio input, 1CH audio output
- 1CH micro SD card slot, up to 256G
- Support three streams
- Intelligent analytics

DIMENSIONS

Unit : inch(mm)



OPTIONAL ACCESSORIES

SPECIFICATIONS

VIDEO	
Analog Video Input	BNC×1 BNC interface (1.0Vp-p; 75Ω) TVI/AHD/CVI: 5MP@20fps; 4MP/1080P/720P @30fps CVBS video signal input supported
Video Compression	H.265+/H.265/ H.264+ / H.264 / MJPEG
H.264 Compression Standard	Baseline Profile/Main Profile/High Profile
Bit Rate Type	VBR/CBR
Bit Rate	64Kbps ~ 8Mbps
Resolution	5MP (2592×1944), 4MP (2560×1440), 1080P (1920 × 1080), 720P (1280 × 720), D1, CIF, 480 × 240
Main Stream	5MP(1~20fps)/4MP/1080P/720P/D1 (60Hz:1~30fps; 50Hz:1~25fps)
Sub Stream	720P/D1/CIF (60Hz:1~30fps; 50Hz:1~25fps)
Third Stream	D1/CIF/480×240 (60Hz:1~30fps; 50Hz:1~25fps)
AUDIO	
Audio Input	1CH 3.5mm audio input
Two-Way Audio	Take up the above audio input
Audio Output	1CH 3.5mm audio output
Audio Compression	G711A/U
IMAGE	
Image Setting	Saturation, hue, brightness, contrast, wide dynamic range, sharpness, defog, NR, image mirror, image flip, etc., adjustable through client or web browser
ROI	8 ROI, each region can be set up separately
INTERFACES	
Network	100M RJ45
Audio	1CH 3.5mm audio input; 1CH 3.5mm audio output
Video	1CH BNC video input
Storage	1 micro SD card slot, up to 256G
Alarm	8CH alarm input; 4CH alarm output
FUNCTION	
Remote Monitoring	Web browser/CVS2.0/NVR/mobile APP
Online Connection	Supports simultaneous monitoring for up to 8 users Supports multi-stream real time transmission
Network Protocol	UDP, IPv4, IPv6, DHCP, NTP, RTSP, RTMP, PPPoE, DDNS, SMTP, FTP, SNMP, 802.1x, UPnP, HTTPS, HTTP POST, Qos
Interface Protocol	ONVIF
Storage	Network remote storage; micro SD card storage
Smart Alarm	SD card full, SD card error, IP address conflict, cable disconnection, sensor alarm, motion alarm
Intelligent Analytics	Video exception detection: video blur detection, abnormal color detection, scene change detection Perimeter protection: line crossing/region entrance/ region exiting/ region intrusion detection (human/motor vehicle/non-motor vehicle classification) Statistics: target counting by line/area (human/motor vehicle/non-motor vehicle classification) Face detection: face detection, face capture Other events: abandoned/missing object detection, heat map
General Function	Yes, IEEE802.3af
PoE	Yes, IEEE802.3af
Water-proof Grade	No
OTHERS	
Power Input	DC12V/PoE
Power Output	Yes, max. 12V@0.5A
Power Consumption	< 5.5W
Environmental Protection	RoHS 2.0, REACH, WEEE, directive94/62/EC
Working Environment	-22°F~140°F (-30°C~60°C), Humidity: less than 95% (non-condensing)
Storage Environment	-22°F~149°F (-30°C~65°C), Humidity: less than 95% (non-condensing)
Dimensions in(mm)	Server: 4.27x3.45x1.10in (108.5x87.8x28.0mm)
Weight (net)	Approx. 271.4 g
Installation	Wall mounting